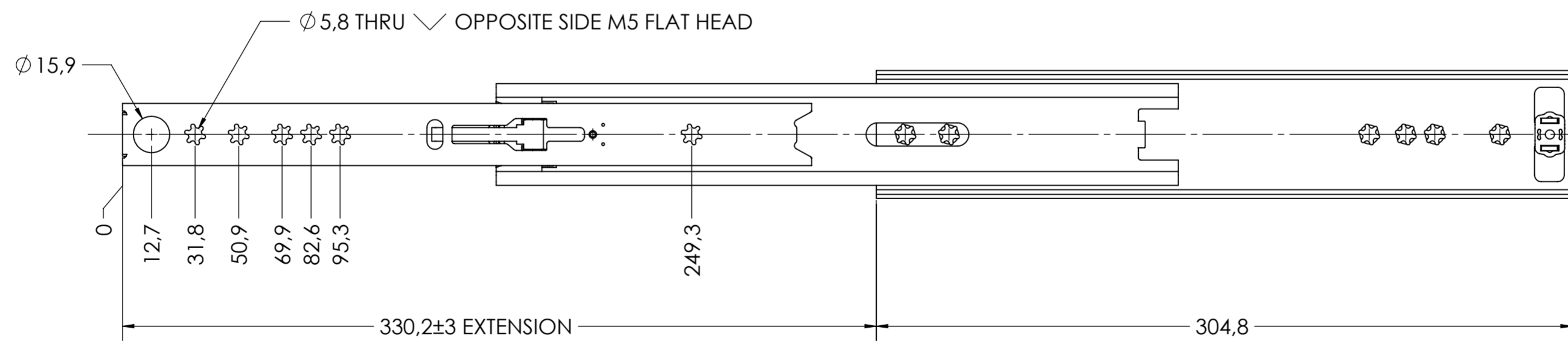
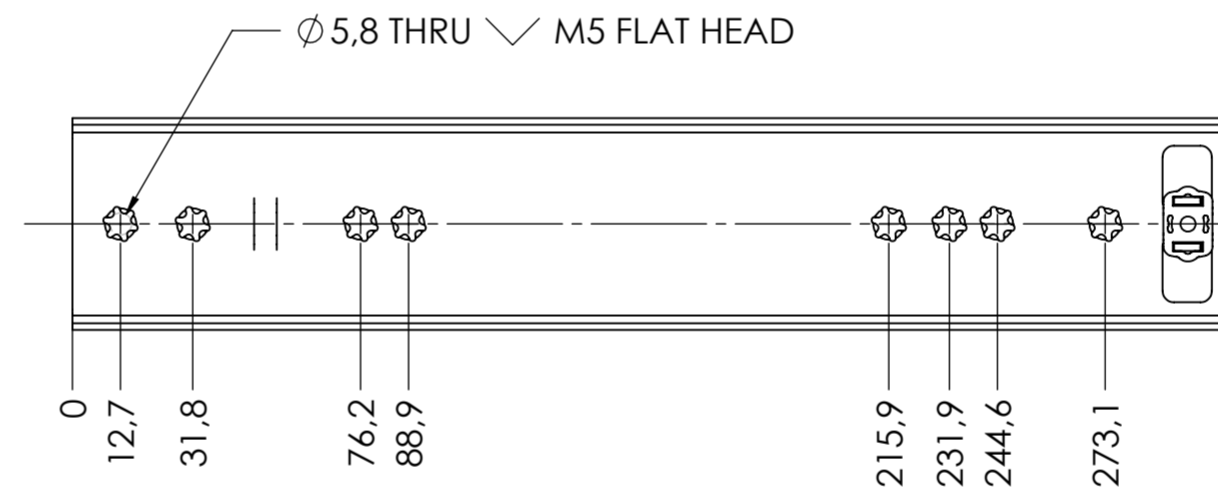


CABINET MOUNTING HOLES



RECOMMENDED HARDWARE:

CABINET- M5 FLAT HEAD SCREW #10 FLAT HEAD SCREW

DRAWER- M5 FLAT HEAD SCREW OR #10 FLAT HEAD SCREW

general tolerances		DIN ISO 128-30 missing dimensions see 3D = theor. intersection	
ISO 2768-m			
This drawing remains our property and may not be multiplied neither be disclosed to third parties (§§1,3 and 5 from the copyright Act (UrhG)) covered according to DIN ISO 16016			
(k)		scale:	surface:
(l)		1:2	
(m)		date	name
(n)		drawn 07-05-2020	MW
(o)		proven 00-00-0000	00
(p)		Fulterer	
(q)			
(r)		material, semi finished parts: STEEL (technical requirements Fulterer)	
(s)		description: OVER EXTENSION SIDE MOUNT DRAWER SLIDE WITH DRAWER DISCONNECT	
(t)		drawing number: 5609.12-GA.T056	
(u)		replaces version date:	
(v)			
(w)			
(x)			
(y)			
(z)			
(a)	UPDATE TITLE BLOCK	19-03-2019	HB
(b)	changes	date	na.
(c)			
(d)			
(e)			
(f)			
(g)			
(h)			
(i)			
(j)			
(k)			
(l)			
(m)			
(n)			
(o)			
(p)			
(q)			
(r)			
(s)			
(t)			
(u)			
(v)			
(w)			
(x)			
(y)			
(z)			
(a)			
(b)			
(c)			
(d)			
(e)			
(f)			
(g)			
(h)			
(i)			
(j)			
(k)			
(l)			
(m)			
(n)			
(o)			
(p)			
(q)			
(r)			
(s)			
(t)			
(u)			
(v)			
(w)			
(x)			
(y)			
(z)			
(a)			
(b)			
(c)			
(d)			
(e)			
(f)			
(g)			
(h)			
(i)			
(j)			
(k)			
(l)			
(m)			
(n)			
(o)			
(p)			
(q)			
(r)			
(s)			
(t)			
(u)			
(v)			
(w)			
(x)			
(y)			
(z)			
(a)			
(b)			
(c)			
(d)			
(e)			
(f)			
(g)			
(h)			
(i)			
(j)			
(k)			
(l)			
(m)			
(n)			
(o)			
(p)			
(q)			
(r)			
(s)			
(t)			
(u)			
(v)			
(w)			
(x)			
(y)			
(z)			
(a)			
(b)			
(c)			
(d)			
(e)			
(f)			
(g)			
(h)			
(i)			
(j)			
(k)			
(l)			
(m)			
(n)			
(o)			
(p)			
(q)			
(r)			
(s)			
(t)			
(u)			
(v)			
(w)			
(x)			
(y)			
(z)			
(a)			
(b)			
(c)			
(d)			
(e)			
(f)			
(g)			
(h)			
(i)			
(j)			
(k)			
(l)			
(m)			
(n)			
(o)			
(p)			
(q)			
(r)			
(s)			
(t)			
(u)			
(v)			
(w)			
(x)			
(y)			
(z)			
(a)			
(b)			
(c)			
(d)			
(e)			
(f)			
(g)			
(h)			
(i)			
(j)			
(k)			
(l)			
(m)			
(n)			
(o)			
(p)			
(q)			
(r)			
(s)			
(t)			
(u)			
(v)			
(w)			
(x)			
(y)			
(z)			
(a)			
(b)			
(c)			
(d)			
(e)			
(f)			
(g)			
(h)			
(i)			
(j)			
(k)			
(l)			
(m)			
(n)			
(o)			
(p)			
(q)			
(r)			
(s)			
(t)			
(u)			
(v)			
(w)			
(x)			
(y)			
(z)			
(a)			
(b)			
(c)			
(d)			
(e)			
(f)			
(g)			
(h)			
(i)			
(j)			
(k)			
(l)			
(m)			
(n)			
(o)			
(p)			
(q)			
(r)			
(s)			
(t)			
(u)			
(v)			
(w)			
(x)			
(y)			
(z)			
(a)			
(b)			
(c)			
(d)			
(e)			
(f)			
(g)			
(h)			
(i)			
(j)			
(k)			
(l)			
(m)			
(n)			
(o)			
(p)			
(q)			
(r)			
(s)			
(t)			
(u)			
(v)			
(w)			
(x)			
(y)			
(z)			
(a)			
(b)			
(c)			
(d)			
(e)			
(f)			
(g)			
(h)			
(i)			
(j)			
(k)			
(l)			
(m)			
(n)			
(o)			
(p)			
(q)			
(r)			
(s)			
(t)			
(u)			
(v)			
(w)			
(x)			
(y)			
(z)			
(a)			
(b)			
(c)			
(d)			
(e)			
(f)			
(g)			
(h)			
(i)			
(j)			
(k)			
(l)			
(m)			
(n)			
(o)			
(p)			
(q)			
(r)			
(s)			
(t)			
(u)			
(v)			
(w)			
(x)			
(y)			
(z)			
(a)			
(b)			
(c)			
(d)			
(e)			
(f)			
(g)			
(h)			
(i)			
(j)			
(k)			
(l)			
(m)			
(n)			
(o)			
(p)			
(q)			
(r)			
(s)			
(t)			
(u)			
(v)			
(w)			
(x)			
(y)			
(z)			
(a)			
(b)			
(c)			
(d)			
(e)			
(f)			
(g)			
(h)			
(i)			
(j)			
(k)			
(l)			
(m)			
(n)			
(o)			
(p)			
(q)			
(r)			
(s)			
(t)			
(u)			
(v)			
(w)			
(x)			
(y)			
(z)			
(a)			
(b)			
(c)			
(d)			
(e)			