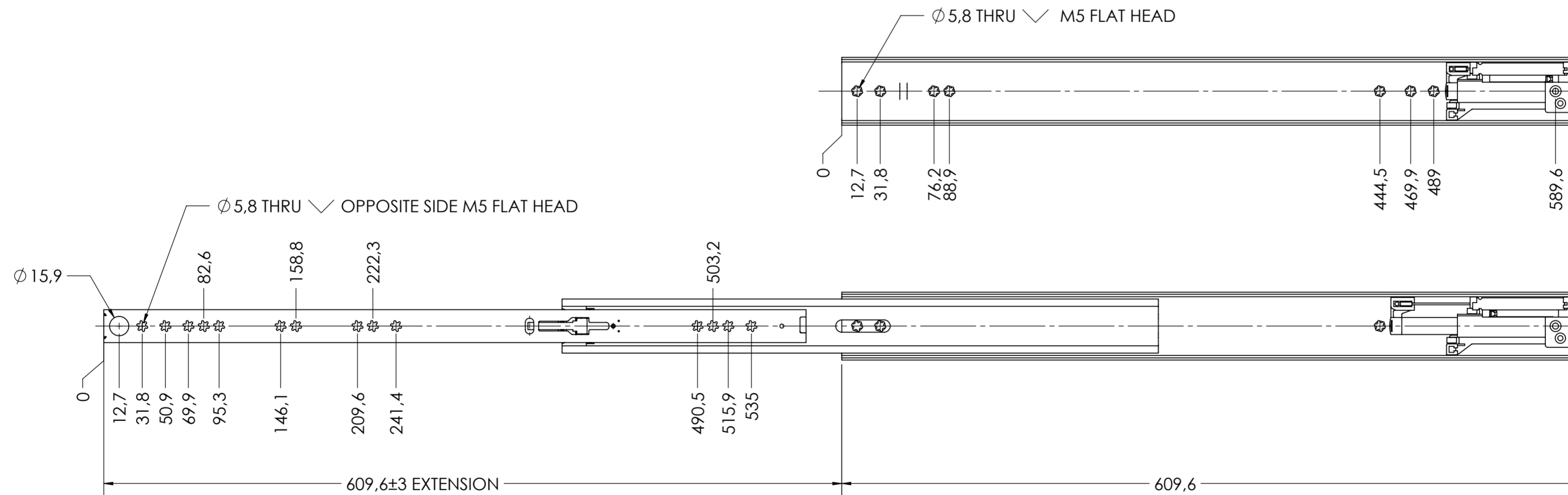


### CABINET MOUNTING HOLES



### RECOMMENDED HARDWARE:

CABINET- M5 FLAT HEAD SCREW #10 FLAT HEAD SCREW

DRAWER- M5 FLAT HEAD SCREW OR #10 FLAT HEAD SCREW

general tolerances		DIN ISO 128-30 missing dimensions see 3D = theor. intersection	
ISO 2768-m			
This drawing remains our property and may not be multiplied neither be disclosed to third parties (§§1,3 and 5 from the copyright Act (UrhG)) covered according to DIN ISO 16016			
(k)		scale:	surface:
(l)		1:3	
(i)		date	name
(h)		drawn 17-02-2021	MW
(g)		proven 00-00-0000	00
(f)		<b>Fulterer</b>	
(e)			
(d)		Fulterer AG & Co KG A-6890 Lustenau / Austria	
(c)		Fulterer AG CH-9430 St. Margrethen	
(b)		drawing number: <b>5609.24-GA.T057</b>	
(a)	UPDATE TITLE BLOCK	19-03-2019	HB
ind.	changes	date	na.