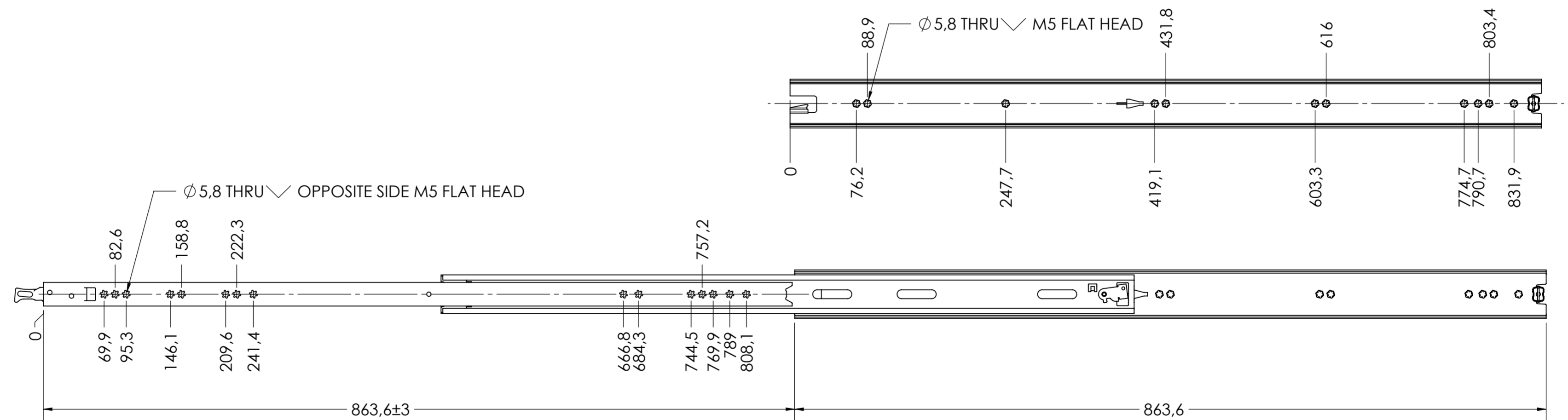


CABINET MOUNTING HOLES



RECOMMENDED HARDWARE:

CABINET- M5 FLAT HEAD SCREW #10 FLAT HEAD SCREW

DRAWER- M5 FLAT HEAD SCREW OR #10 FLAT HEAD SCREW

general tolerances		DIN ISO 128-30 missing dimensions see 3D = theor. intersection	
ISO 2768-m			
This drawing remains our property and may not be multiplied neither be disclosed to third parties (§§1,3 and 5 from the copyright Act (UrhG)) covered according to DIN ISO 16016			
scale: 1:4		surface: STEEL	
date: 01-02-2022		name: MW	
proven: 00-00-0000		description: FULL EXTENSION SIDE MOUNT LOCK IN LOCK OUT DRAWER SLIDE WITH DRAWER DISCONNECT	
		drawing number: 5609.34-GA.T058	
Fulterer AG & Co KG A-6890 Lustenau / Austria		replaces version date:	
Fulterer AG CH-9430 St. Margrethen			
ind.	changes	date	na.