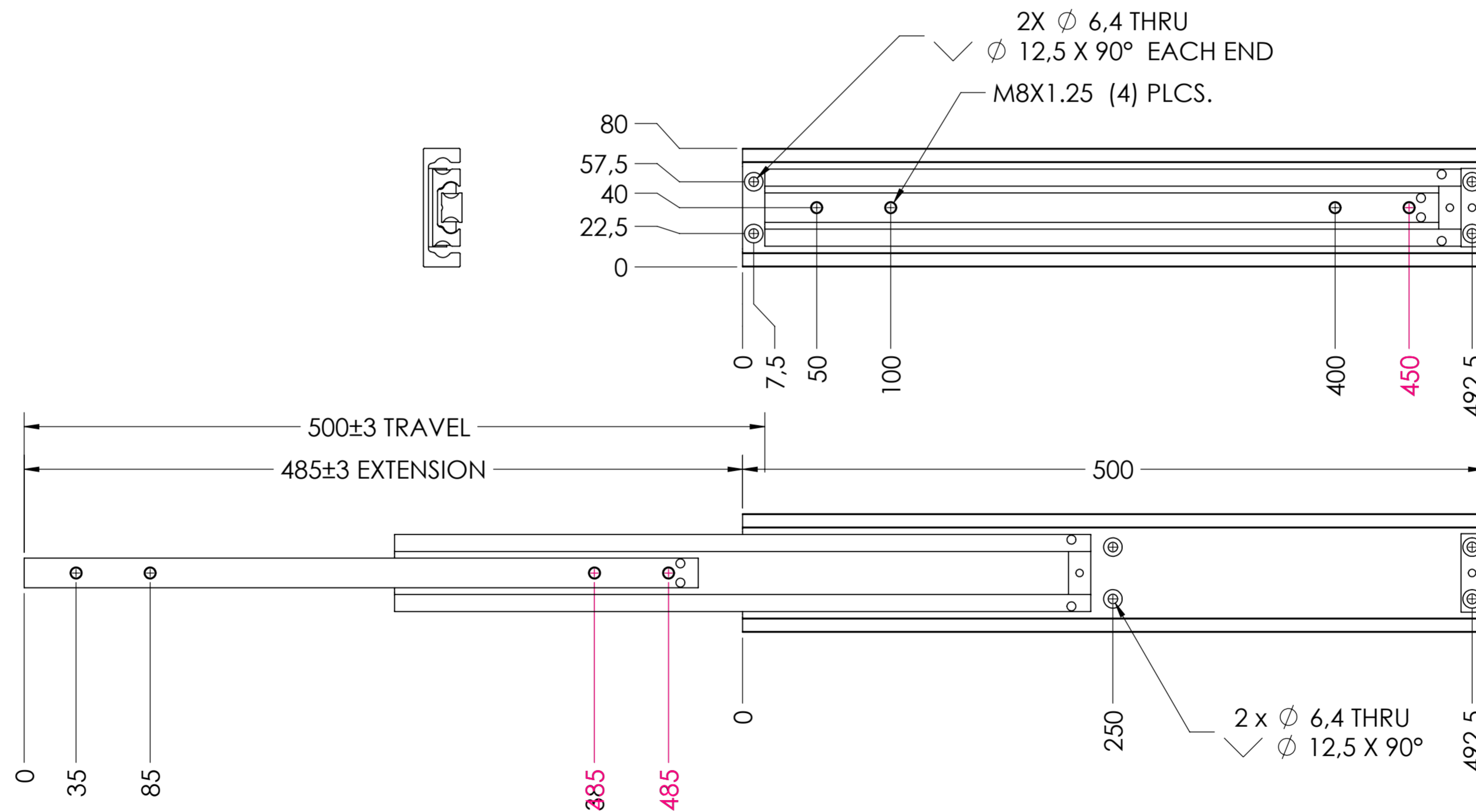


SCALE 1:1



RECOMMENDED HARDWARE:
 CABINET- M6 FLAT HEAD SCREWS
 (2) REAR SCREWS 12mm LONGER THAN FRONT/MIDDLE LOCATIONS
 DRAWER- M8 x 1.25 SCREWS

general tolerances		DIN ISO 128-30 missing dimensions see 3D = theor. intersection	
ISO 2768-m			
This drawing remains our property and may not be multiplied neither be disclosed to third parties (§§1,3 and 5 from the copyright Act (UrhG)) covered according to DIN ISO 16016			
(k)	scale:	1:3	surface:
(l)	date:	20-07-2018	name:
(m)	drawn:	HB	
(n)	proven:	00-00-0000	00
(o)	Fullterer		material, semi finished parts:
(p)			ALUMINUM
(q)	Fullterer AG & Co KG A-6890 Lustenau / Austria		(technical requirements Fullterer)
(r)			description:
(s)	Fullterer AG CH-9430 St. Margrethen		FULL EXTENSION SIDE MOUNT SUPER HEAVY DUTY ALUMINUM SLIDE
(t)			drawing number:
(u)	changes		5826.500-GA.T094
(v)			date:
(w)	ind.		replaces version date:
(x)			na.