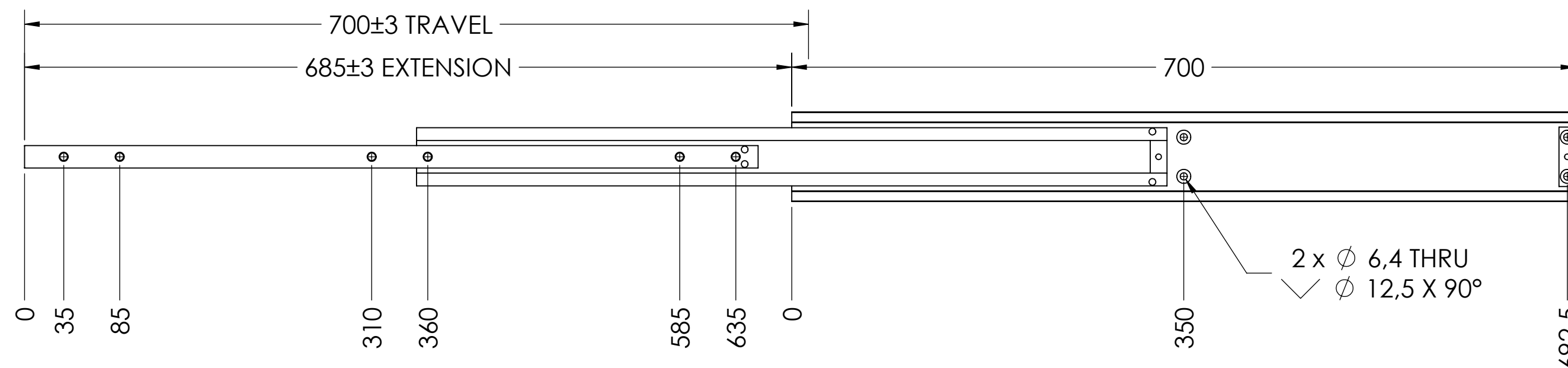
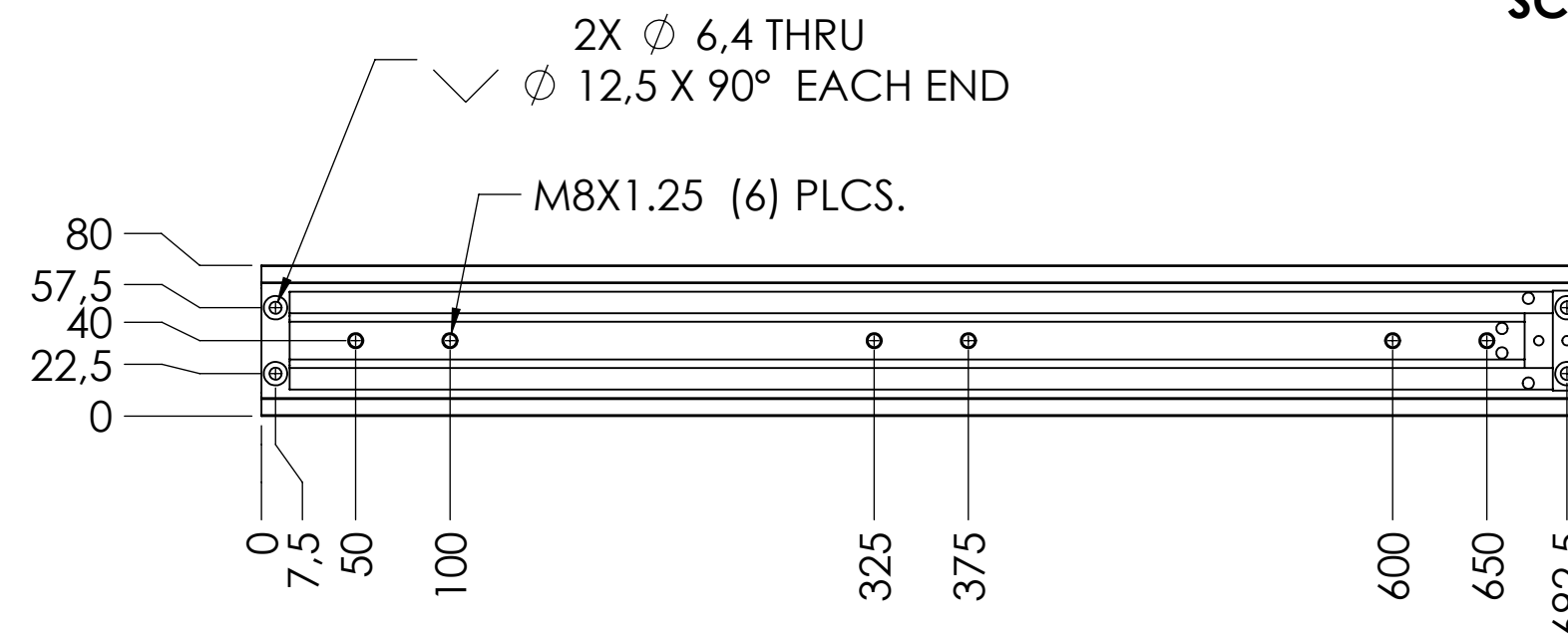


SCALE 1:1



RECOMMENDED HARDWARE:  
 CABINET- M6 FLAT HEAD SCREWS  
 (2) REAR SCREWS 12mm LONGER THAN FRONT/MIDDLE LOCATIONS  
 DRAWER- M8 x 1.25 SCREWS

|   |      |  |  |
|---|------|--|--|
| general tolerances  |      | DIN ISO 128-30<br>missing dimensions see 3D<br>= theor. intersection   |  |
| ISO 2768-m  |      |  |  |
| This drawing remains our property and may not be multiplied neither be disclosed to third parties (§§1,3 and 5 from the copyright Act (UrhG))<br>covered according to DIN ISO 16016 |      |  |  |
| scale: 1:4  |      | surface: A2  |  |
| drawn: 20-07-2018   |      | name: HB   |  |
| proven: 00-00-0000  |      | description: FULL EXTENSION SIDE MOUNT SUPER HEAVY DUTY ALUMINUM SLIDE |  |
|   |      | drawing number: 5826.700-GA.T094                                       |  |
|   |      | replaces version date:   |  |
| ind. changes  | date | na.  |  |