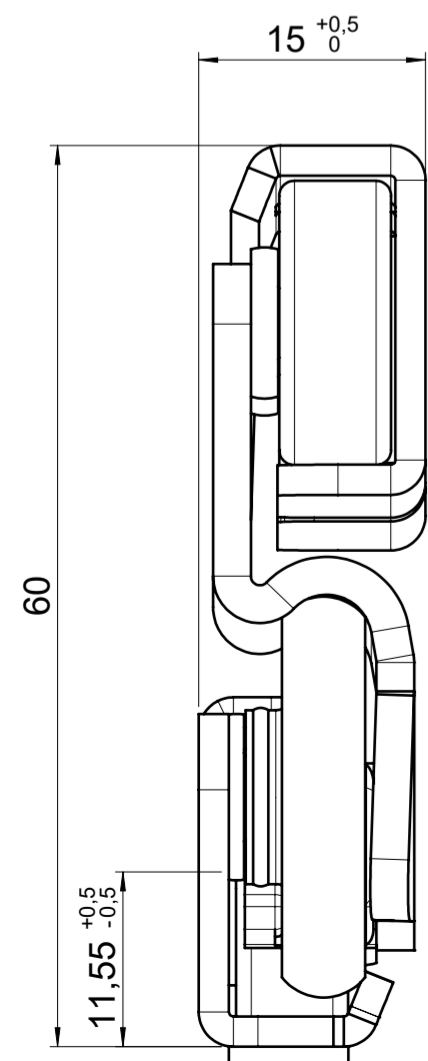
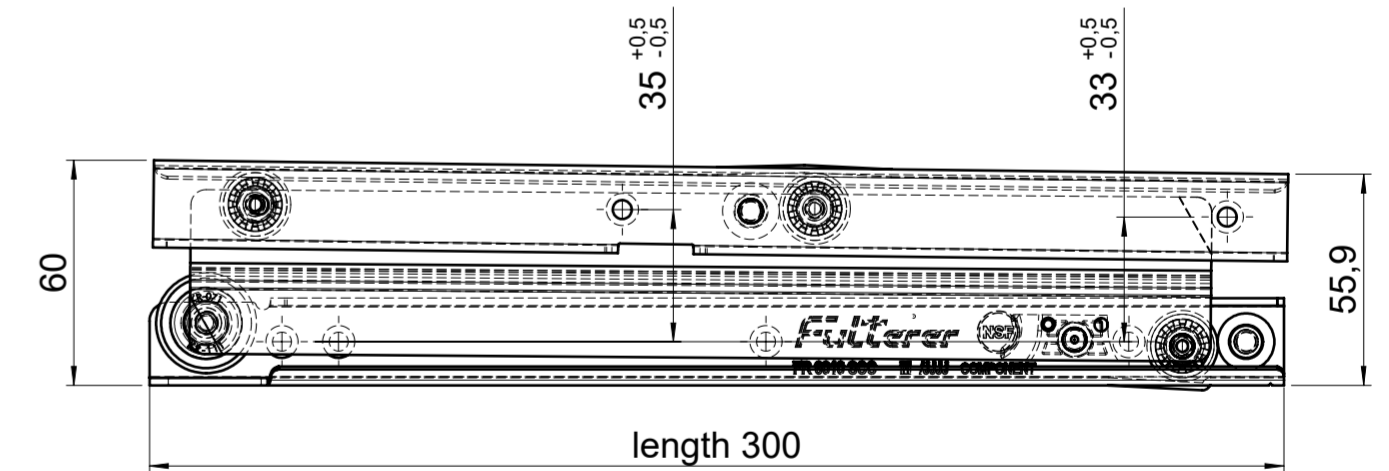
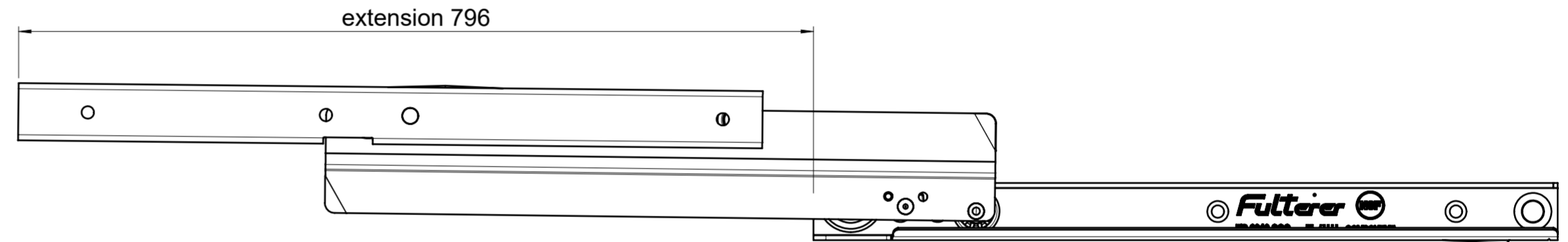
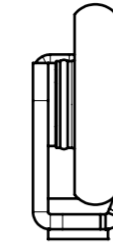
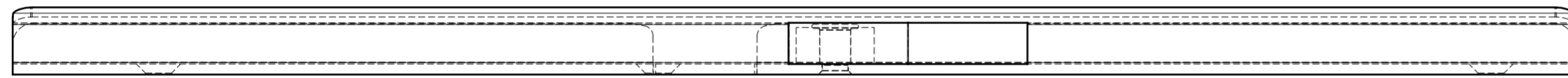
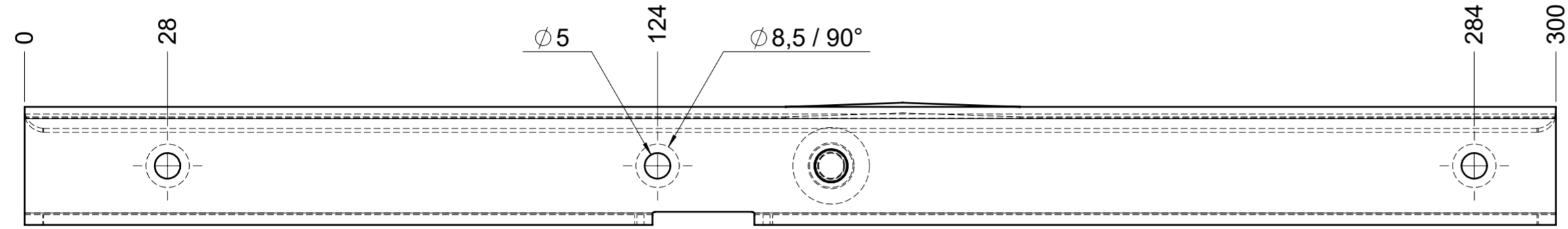
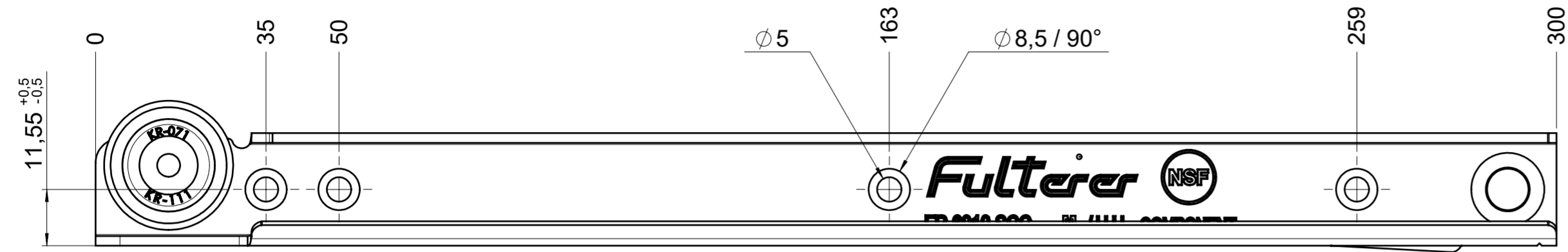


drawn left (right mirrorimage)



final approval

customer name:

signed by:

date:

all dimensions in mm

DIN ISO 128-30
missing dimensions see 3D
 = theor. intersection

This drawing remains our property and may not be multiplied neither be disclosed to third parties (§§1,3 and 5 from the copyright Act (UrhG)) covered according to DIN ISO 16016				scale: 1:1	surface:	material, semi finished parts: CS (technical requirements Fulterer)	A2
(k)				date	name	description: FR 6010 / 30 CS EN (mm) over-extension drawerslide / side mount	drawing number: CS# 6010.300-GA.SB00 replaces version date:
(l)			drawn 02-01-2023	pr			
(m)			proven 01-02-2023	pr			
(n)							
(o)							
(p)							
(q)							
(r)							
(s)							
(t)							
(u)							
(v)							
(w)							
(x)							
(y)							
(z)							
ind.	changes	date	na.				