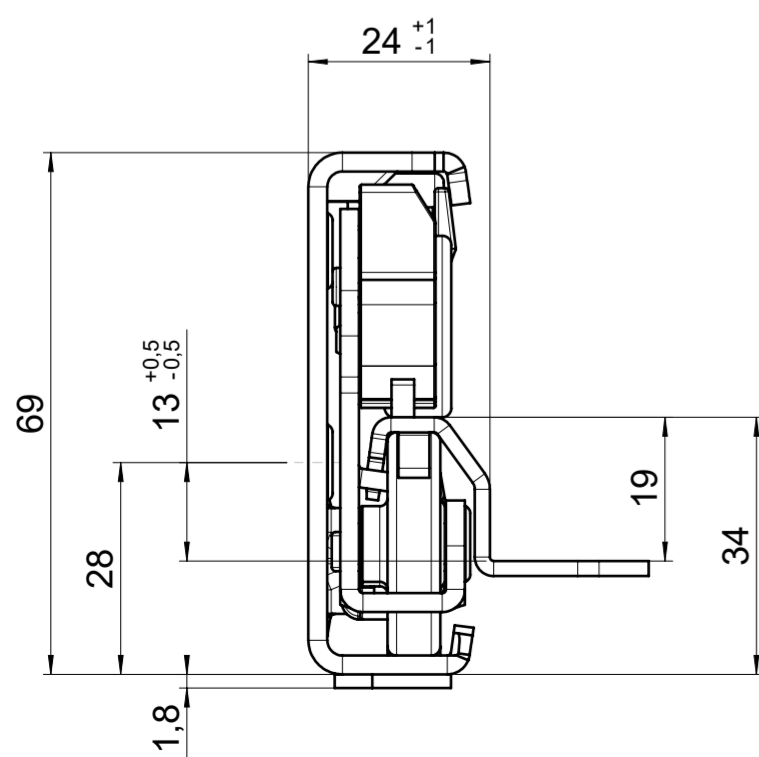
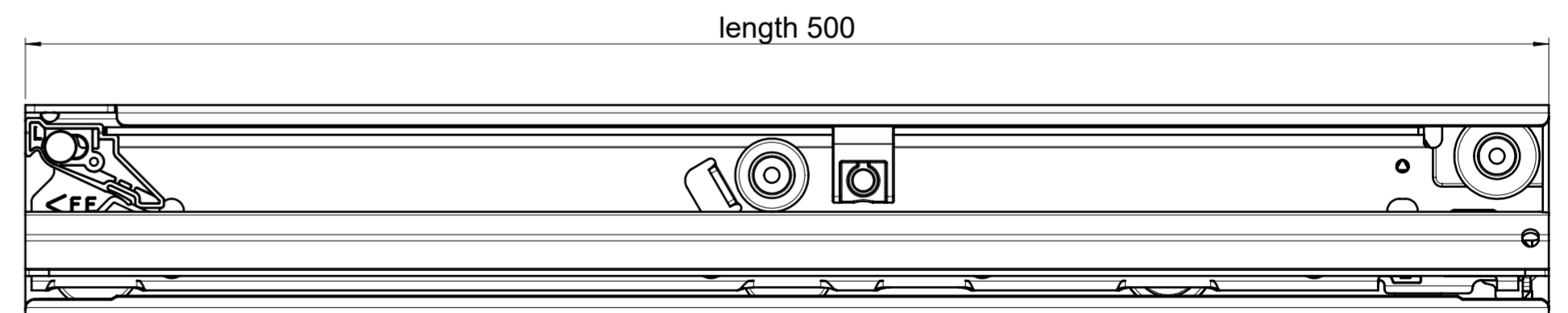
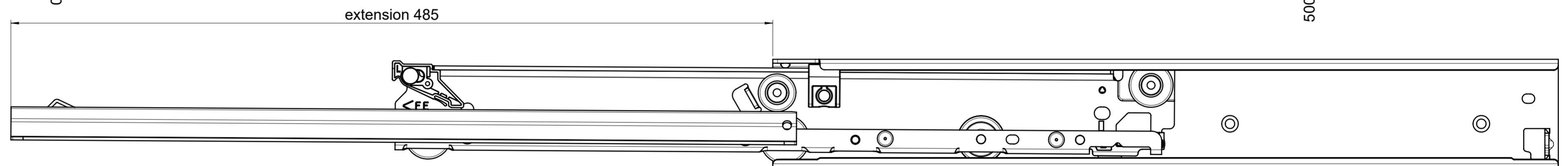
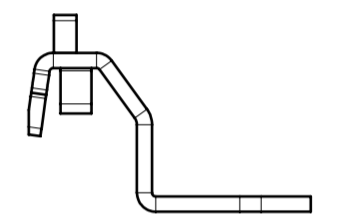
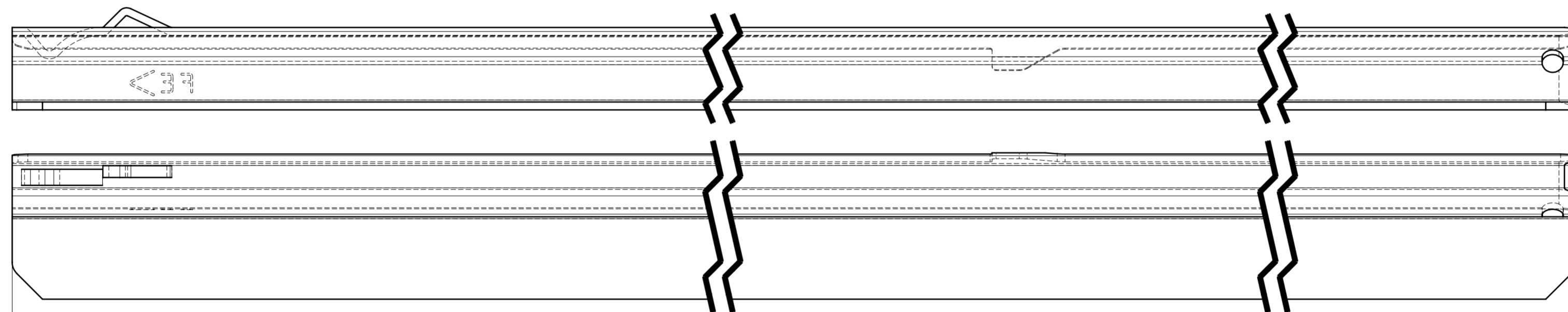
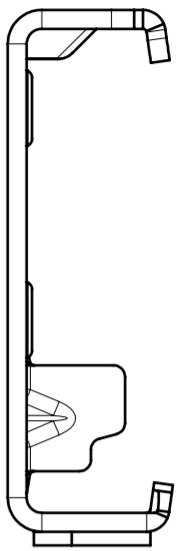
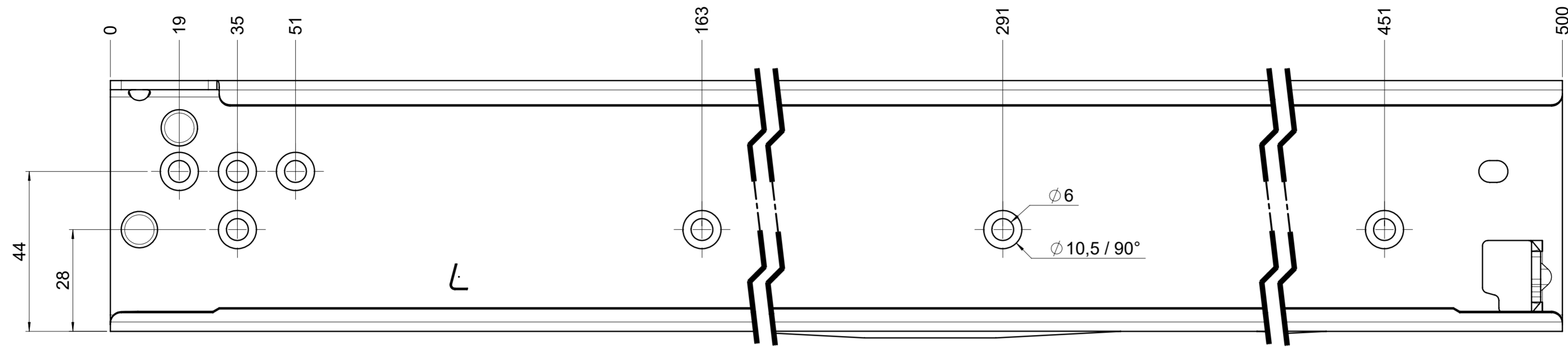


# CS# 7100.500-GAV.L095

drawn left (right mirrorimage)



**final approval**

customer name:

signed by:

date:

**all dimensions in mm**

DIN ISO 128-30  
missing dimensions see 3D  
= theor. intersection

This drawing remains our property and may not be multiplied neither be disclosed to third parties (§§1,3 and 5 from the copyright Act (UrhG)) covered according to DIN ISO 16016				scale:	surface:	material, semi finished parts:	A2
		1:1			CS		
(k)			date	name	description:	FR 7100 / 50 CS EN (mm) progressive-action full-extension drawerslide / bottom mount HR	drawing number:
(l)			drawn 14-12-2022	BM			
(h)			proven 00-00-0000	00	replaces version date:		
(g)			<b>Fulterer</b>		Fulterer AG & Co KG A-6890 Lustenau / Austria Fulterer AG CH-9430 St. Margrethen		
(f)							
(e)							
(d)							
(c)							
(b)							
(a)							
ind.	changes	date	na.				