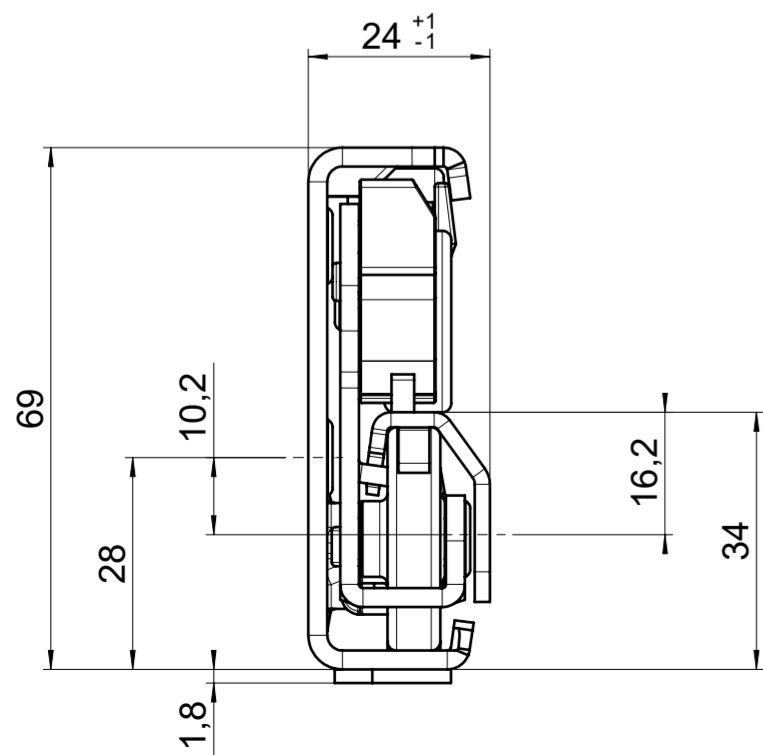
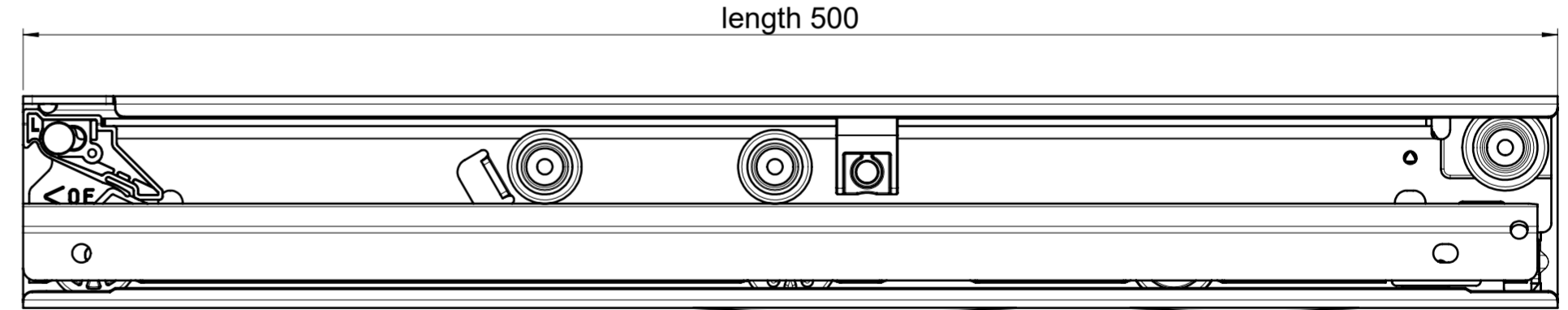
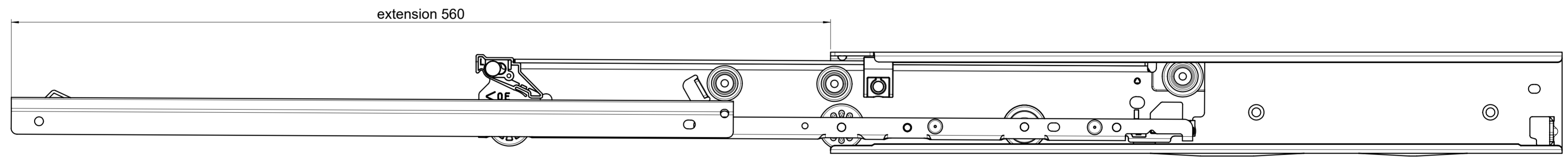
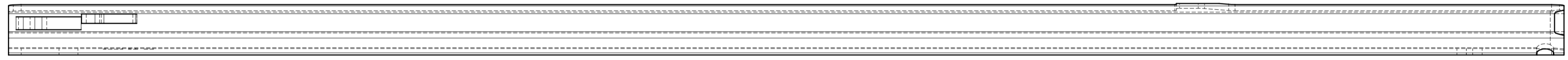
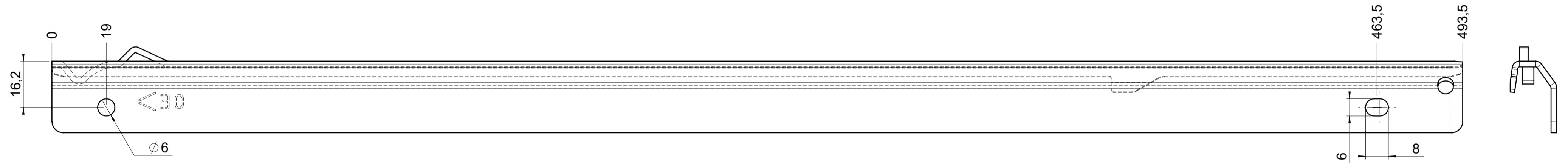
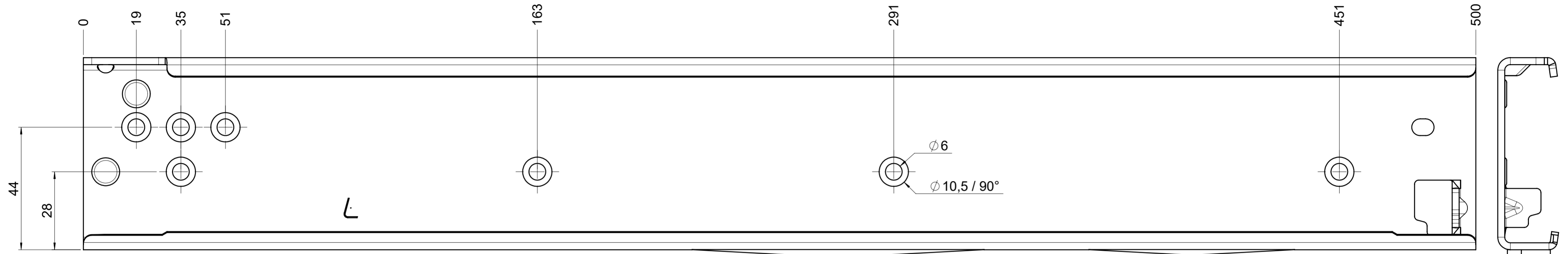


CS# 7101.500-GAÜ.0000

drawn left (right mirrorimage)



final approval

customer name:

signed by:

date:

all dimensions in mm

DIN ISO 128-30
missing dimensions see 3D
 = theor. intersection

This drawing remains our property and may not be multiplied neither be disclosed to third parties (§§1,3 and 5 from the copyright Act (UrhG)) covered according to DIN ISO 16016				scale:	surface:	material, semi finished parts: CS (technical requirements Fulterer)	A2
		1:1					
(k)			drawn	date	name	description: FR 7101 / 50 CS EN (mm) progressive-action over-extension drawerslide / side mount	drawing number: CS# 7101.500-GAÜ.0000 replaces version date:
(l)			05-01-2023	BM			
(h)			proven	00-00-0000	00		
(g)							
(f)							
(e)							
(d)							
(c)							
(b)							
(a)							
ind.	changes	date	na.				