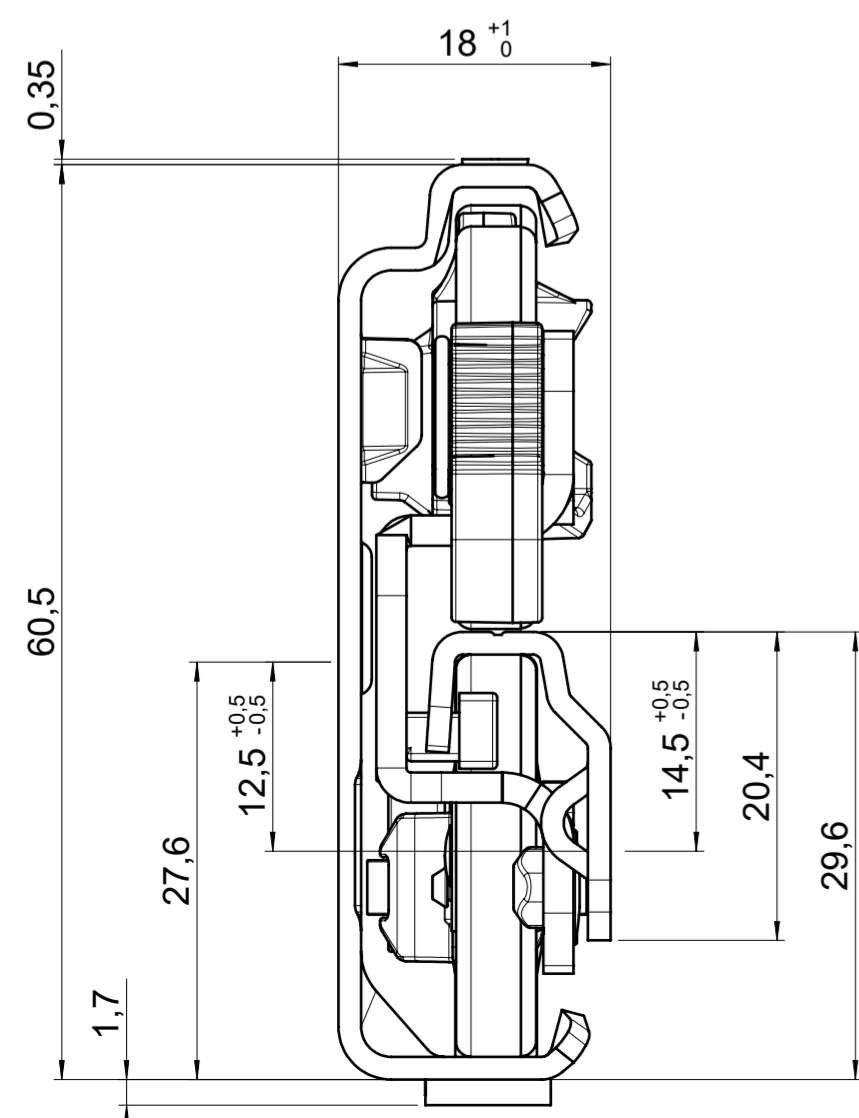
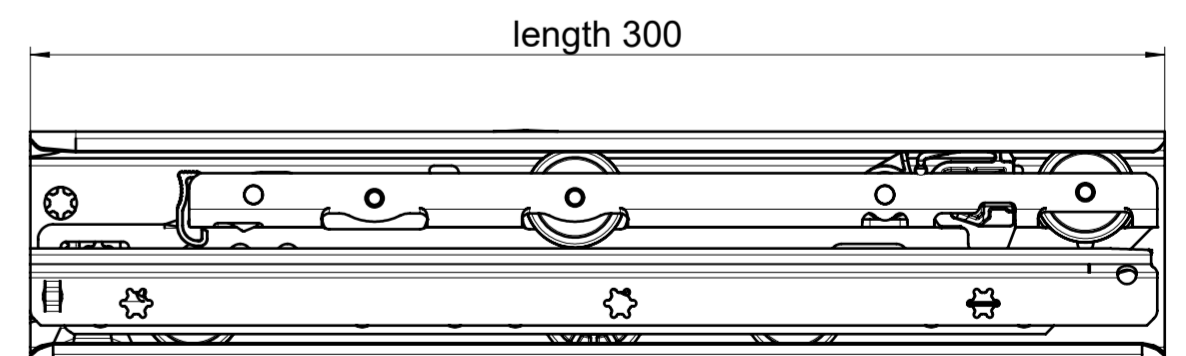
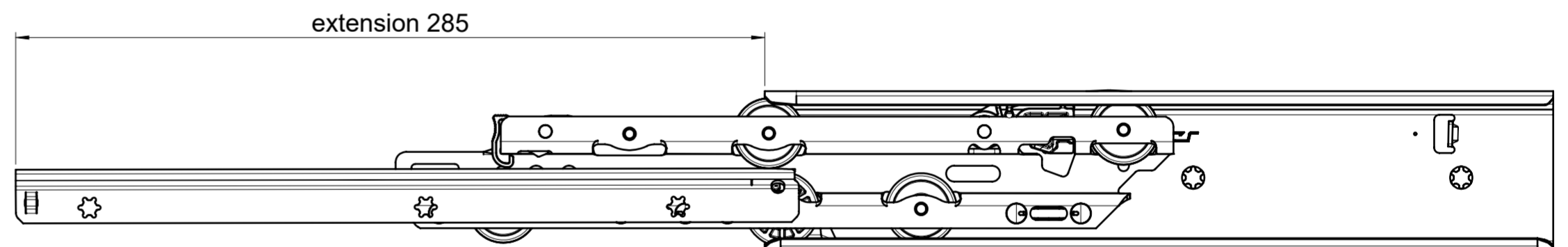
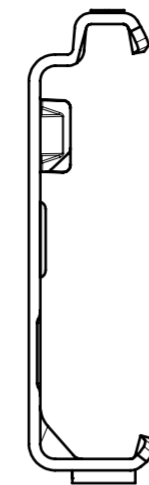
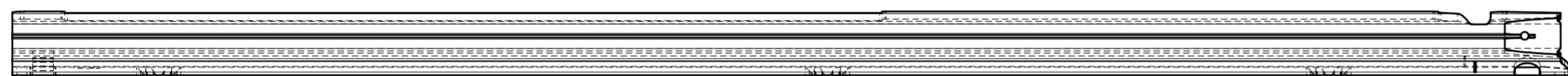
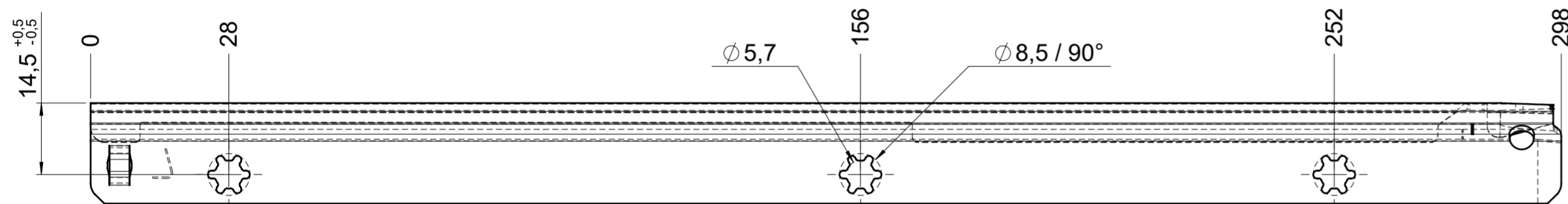
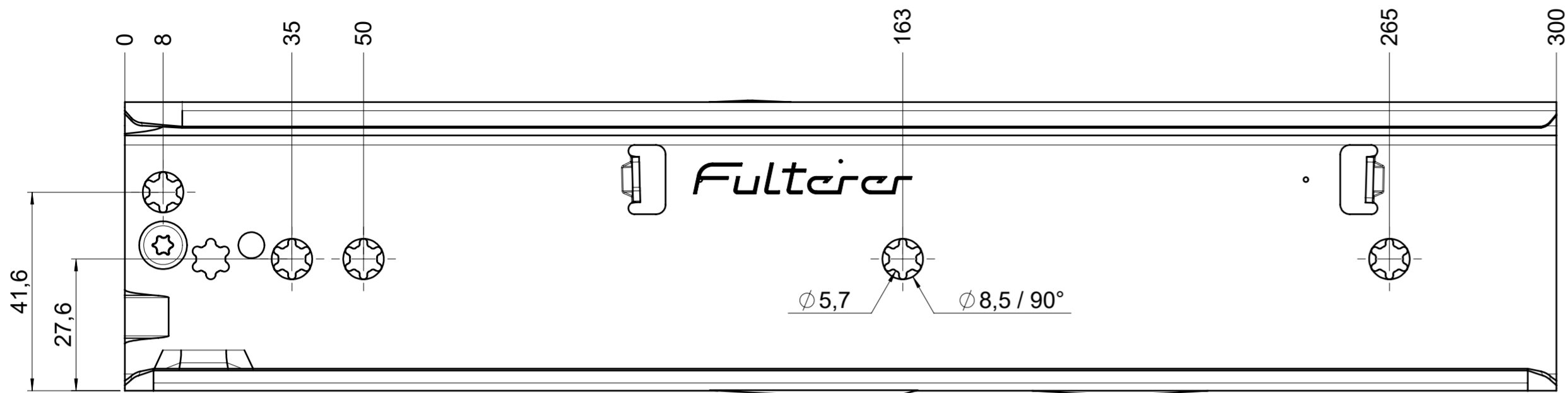


drawn on the left (mirrored on the right)



<b>final approval</b>	customer name:
	signed by:
	date:

all dimensions in mm					
missing dimensions see 3D $\Rightarrow \ominus$ = theor. intersection		scale: <b>1:1</b>	surface/color:	material:	(technical requirements Fulterer)
<b>prototype approval</b>			date	name	description: <b>FR 795-300 CS EN (mm)</b> progressive-action full-extension drawerslide / side mount
			drawn 2022-11-24 EX		
			proven 2024-01-12 RK		drawing number: <b>CS# 795.300-GA.0000</b>
			Fulterer AG & Co KG A-6890 Lustenau		replaces the edition:
① PDM	2023-10-04	RK	Fulterer AG CH-9430 St. Margrethen		
ind. changes	date	name			
This drawing remains our property and may not be multiplied neither be disclosed to third parties (§§1.3 and 5 from the copyright Act (UrHG)).					covered according to DIN ISO 16016