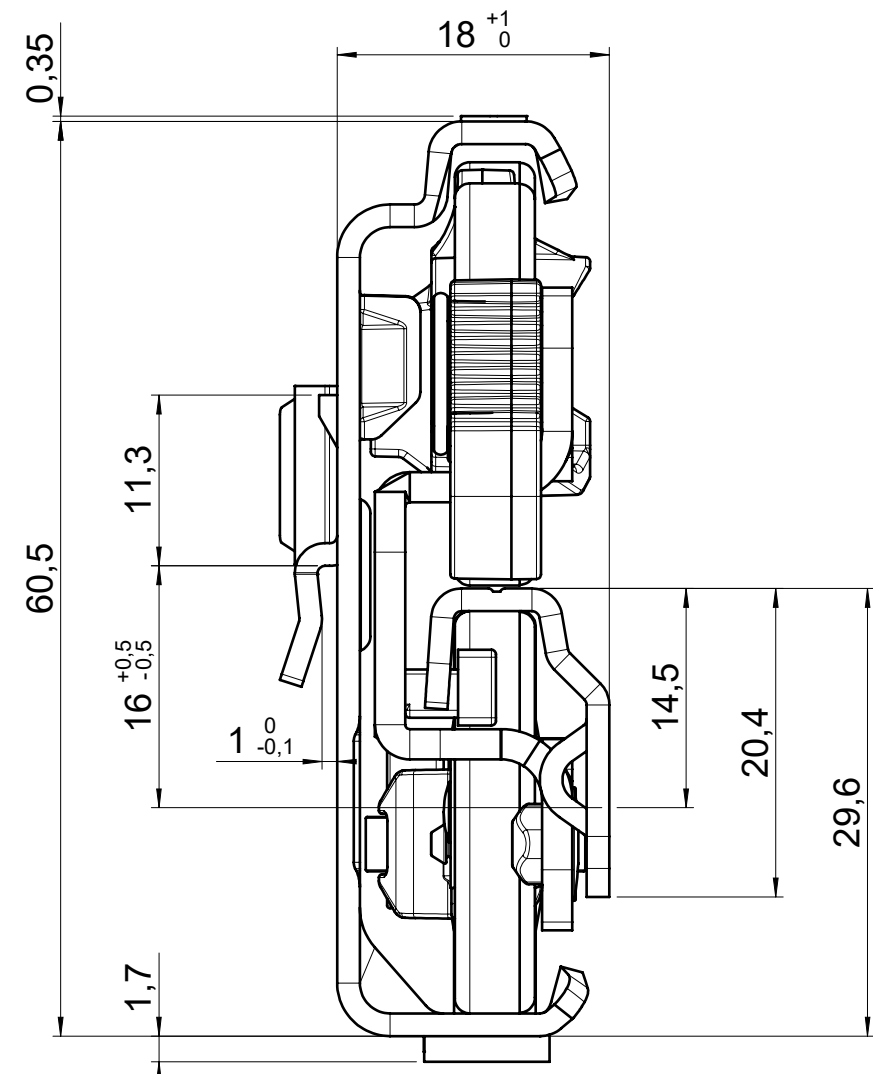
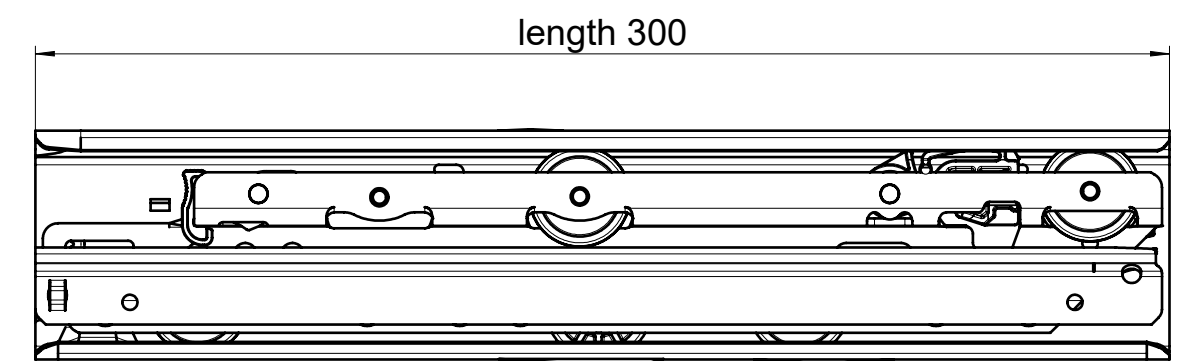
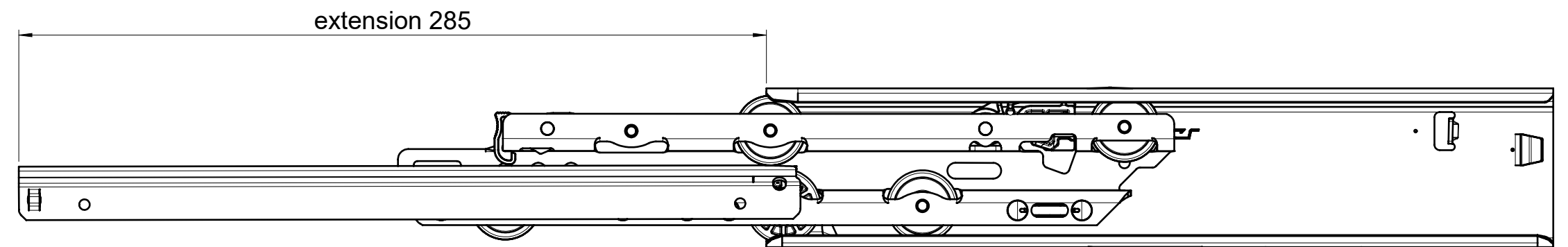
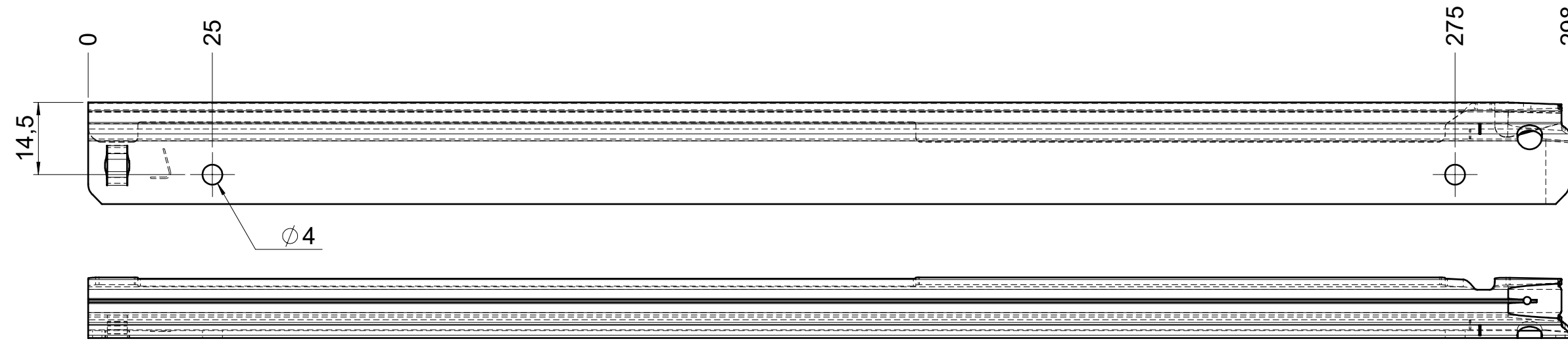
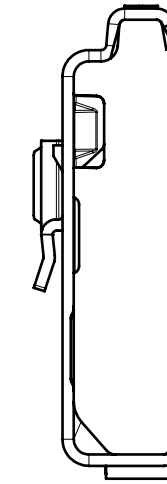
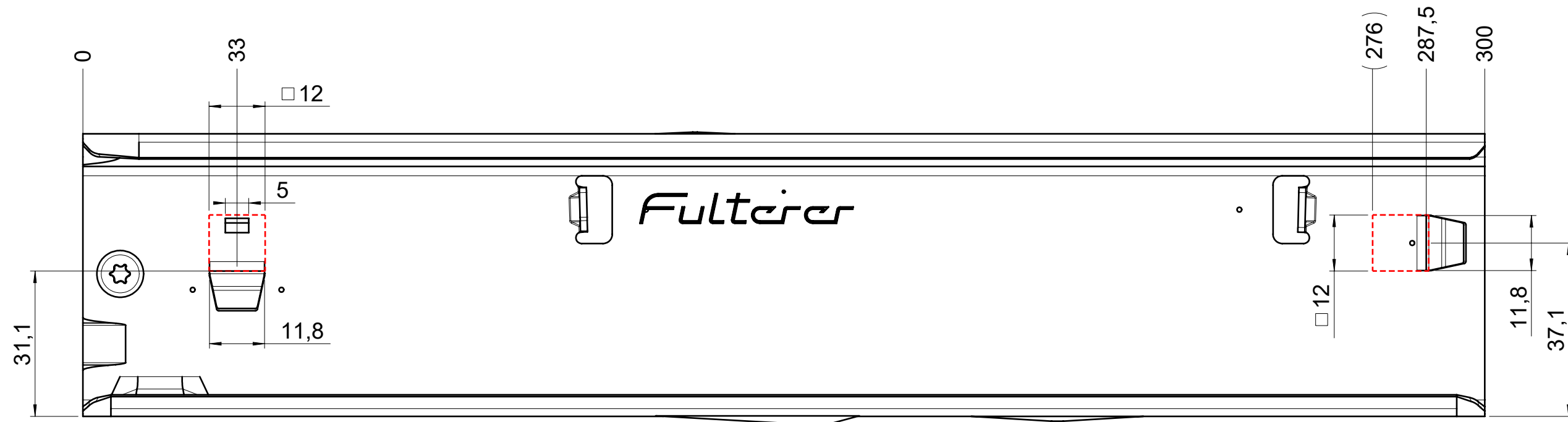


drawn on the left (mirrored on the right)



final approval	customer name:
	signed by:
	date:

all dimensions in mm					
missing dimensions see 3D $\Rightarrow \ominus$ = theor. intersection		scale: 1:1	surface/color:	material:	(technical requirements Fulterer)
prototype approval			date	name	description: FR 795-300 CS EN (mm) progressive-action full-extension drawerslide / side mount
			drawn	2024-01-12	
 Fulterer AG & Co KG A-6890 Lustenau Fulterer AG CH-9430 St. Margrethen			proven	2024-01-12	RK
			drawing number: CS# 795.300-GA.L526		
ind. changes	date	name	replaces the edition:		