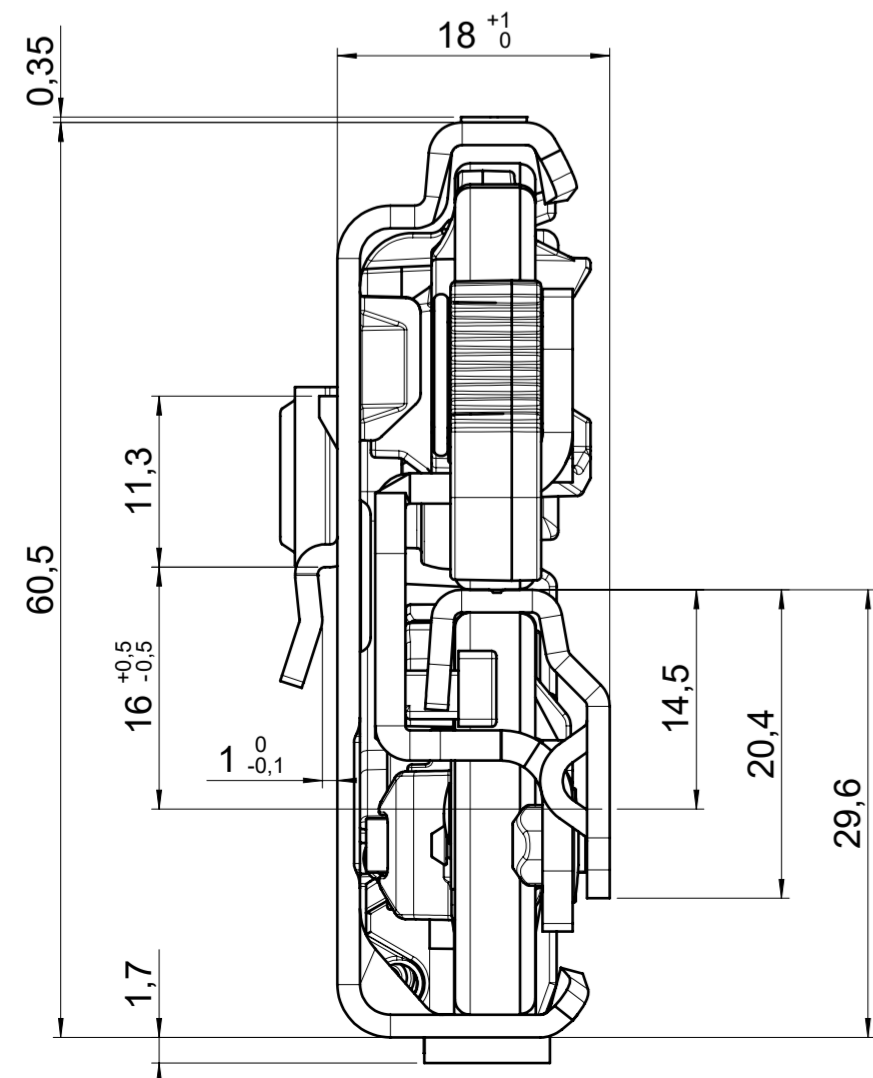
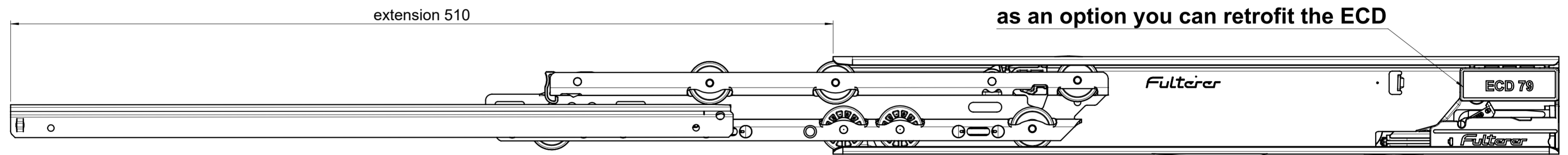
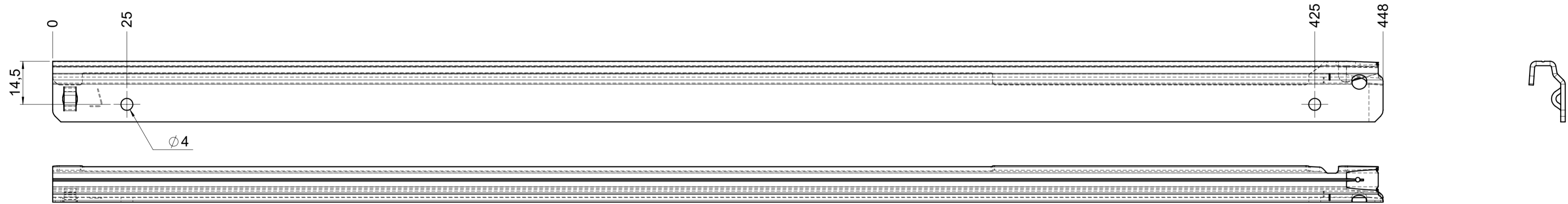
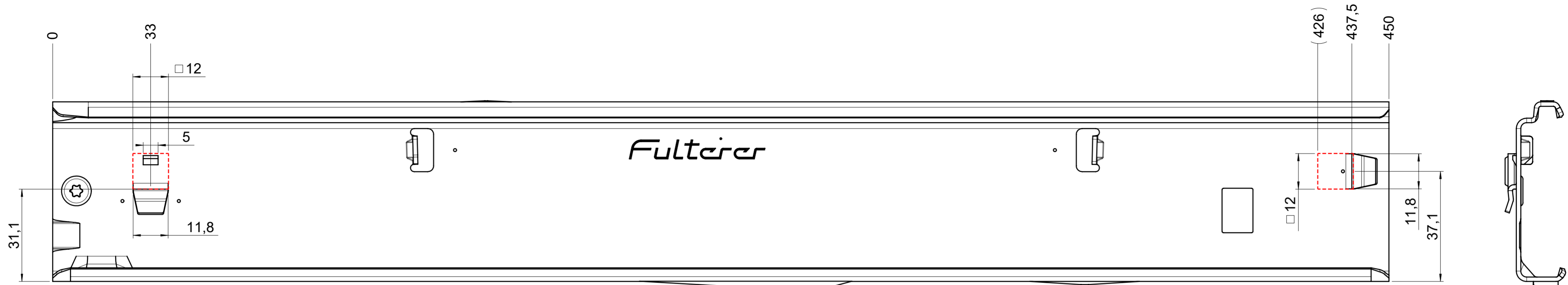


drawn on the left (mirrored on the right)



final approval	customer name:
	signed by:
	date:

all dimensions in mm			
missing dimensions see 3D ∅ = theor. intersection	scale: 1:1	surface/color:	material: CS (technical requirements Fulterer)
prototype approval	drawn	date	description: FR 795-450 CS EN (mm) progressive-action over-extension drawerslide / side mount
	proven		
<input type="radio"/> PDM <input type="radio"/> ind. changes	2023-12-20	RK	drawing number: CS# 795.450-GA.L525 replaces the edition:
	2024-01-12	RK	
Fulterer AG & Co KG A-6890 Lustenau Fulterer AG CH-9430 St. Margrethen		<input type="radio"/> Fulterer <input type="radio"/> Fulterer	
<small>This drawing remains our property and may not be multiplied neither be disclosed to third parties (§§1.3 and 5 from the copyright Act (UrhG)).</small>			<small>covered according to DIN ISO 16016</small>