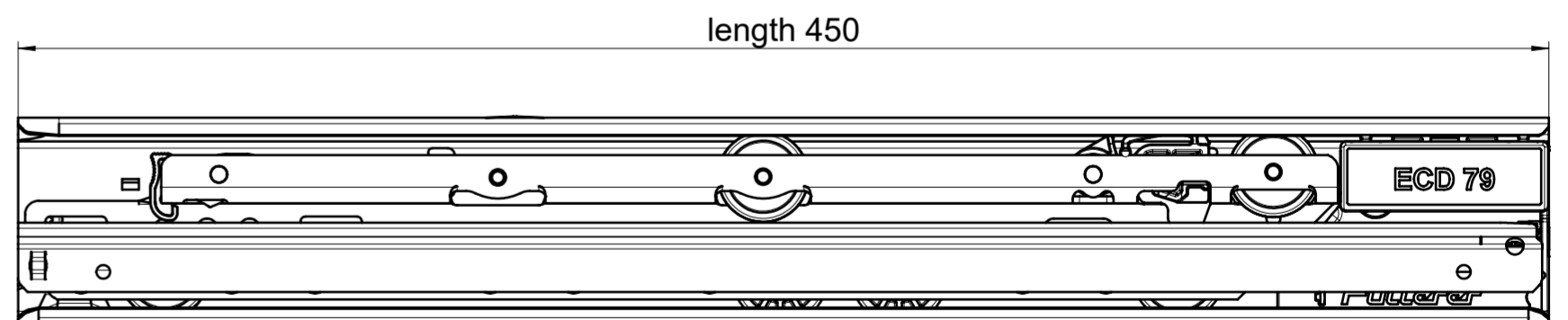
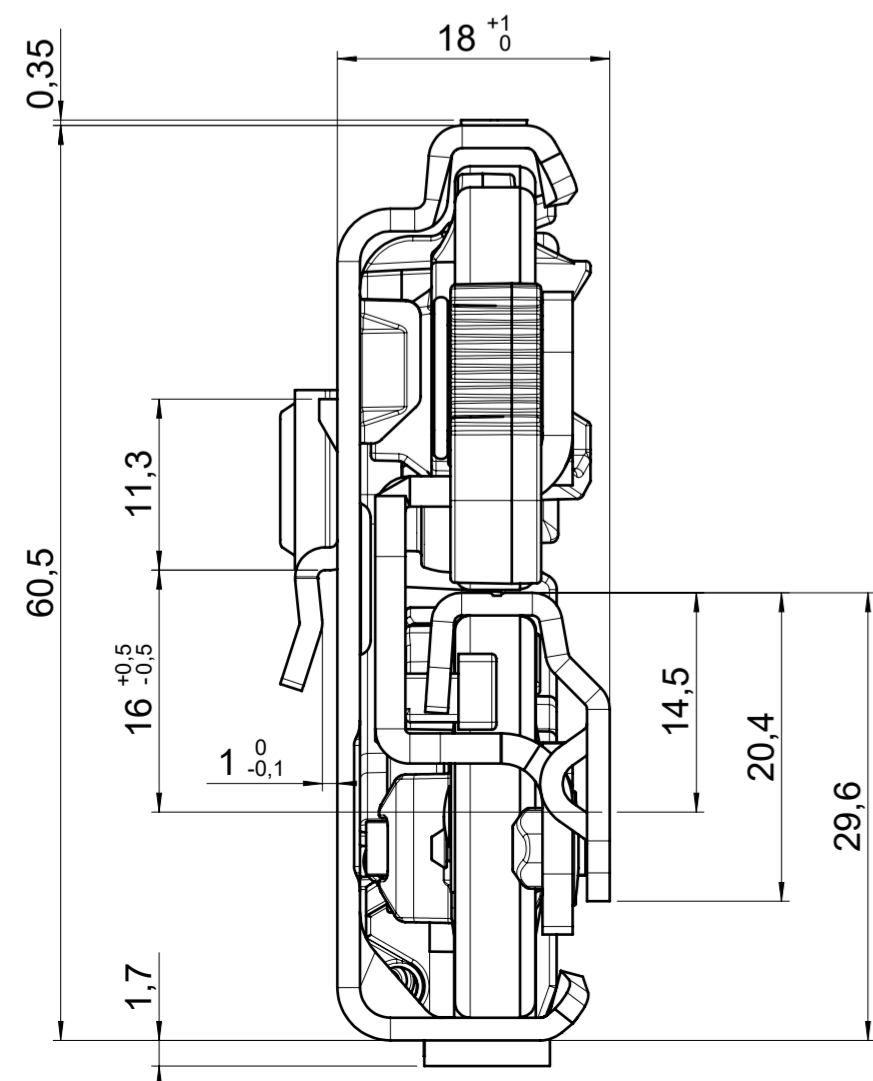
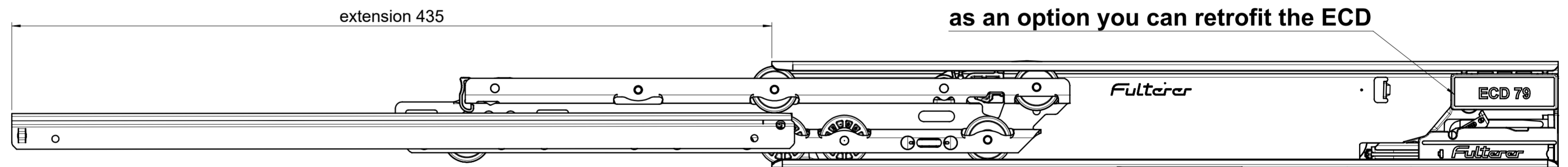
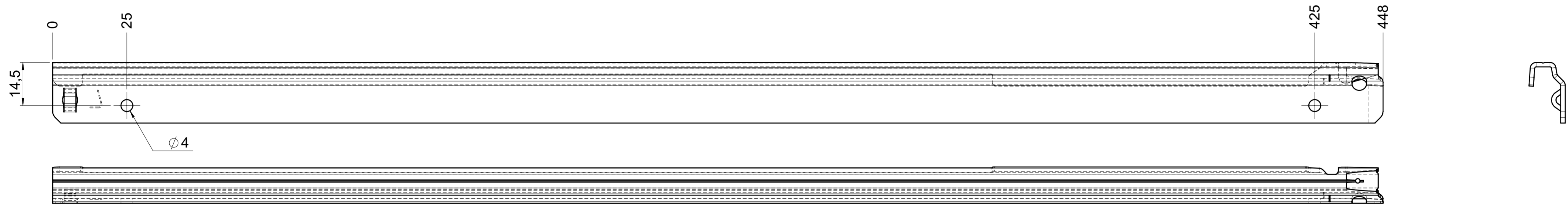
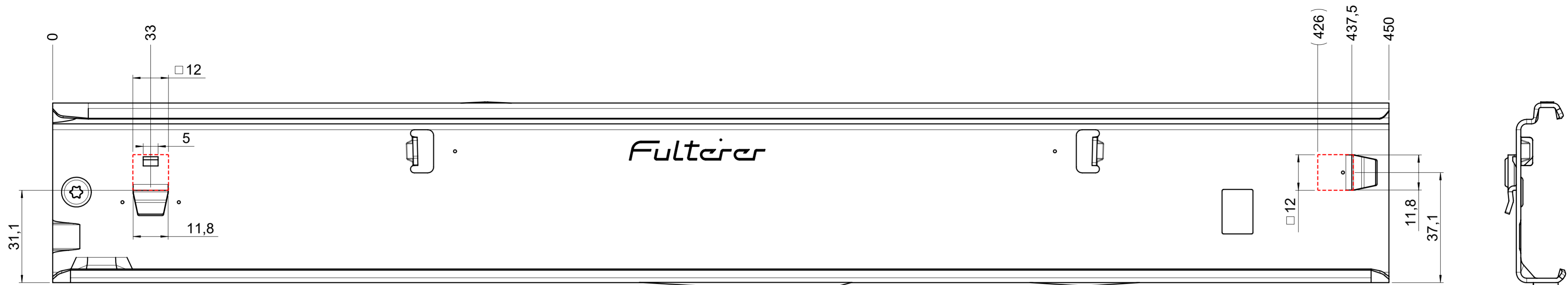


drawn on the left (mirrored on the right)



final approval	customer name:
	signed by:
	date:

all dimensions in mm										
missing dimensions see 3D ∅ = theor. intersection	scale: 1:1	surface/color:	material: CS (technical requirements Fulterer)							
prototype approval		drawn: 2024-01-12 RK	description: FR 795-450 CS EN (mm)							
		proven: 2024-01-12 RK	progressive-action full-extension drawerslide / side mount							
<table border="1"> <tr> <td>① PDM</td> <td>2024-01-12</td> <td>RK</td> <td rowspan="2" style="text-align: center;">Fulterer Fulterer AG & Co KG A-6890 Lustenau Fulterer AG CH-9430 St. Margrethen</td> </tr> <tr> <td>ind. changes</td> <td>date</td> <td>name</td> </tr> </table>		① PDM	2024-01-12	RK	Fulterer Fulterer AG & Co KG A-6890 Lustenau Fulterer AG CH-9430 St. Margrethen	ind. changes	date	name	drawing number: CS# 795.450-GA.L526	replaces the edition:
		① PDM	2024-01-12	RK		Fulterer Fulterer AG & Co KG A-6890 Lustenau Fulterer AG CH-9430 St. Margrethen				
ind. changes	date	name								
This drawing remains our property and may not be multiplied neither be disclosed to third parties (§§1.3 and 5 from the copyright Act (UrhG)).			covered according to DIN ISO 16016							