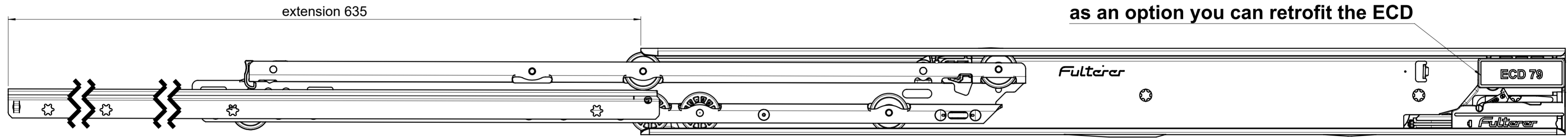
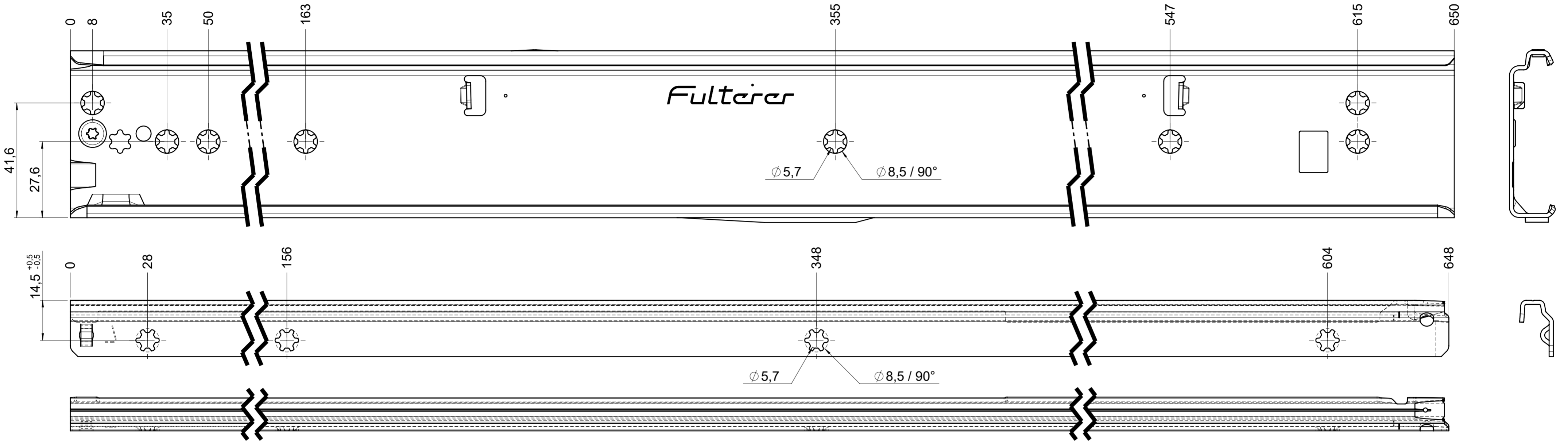
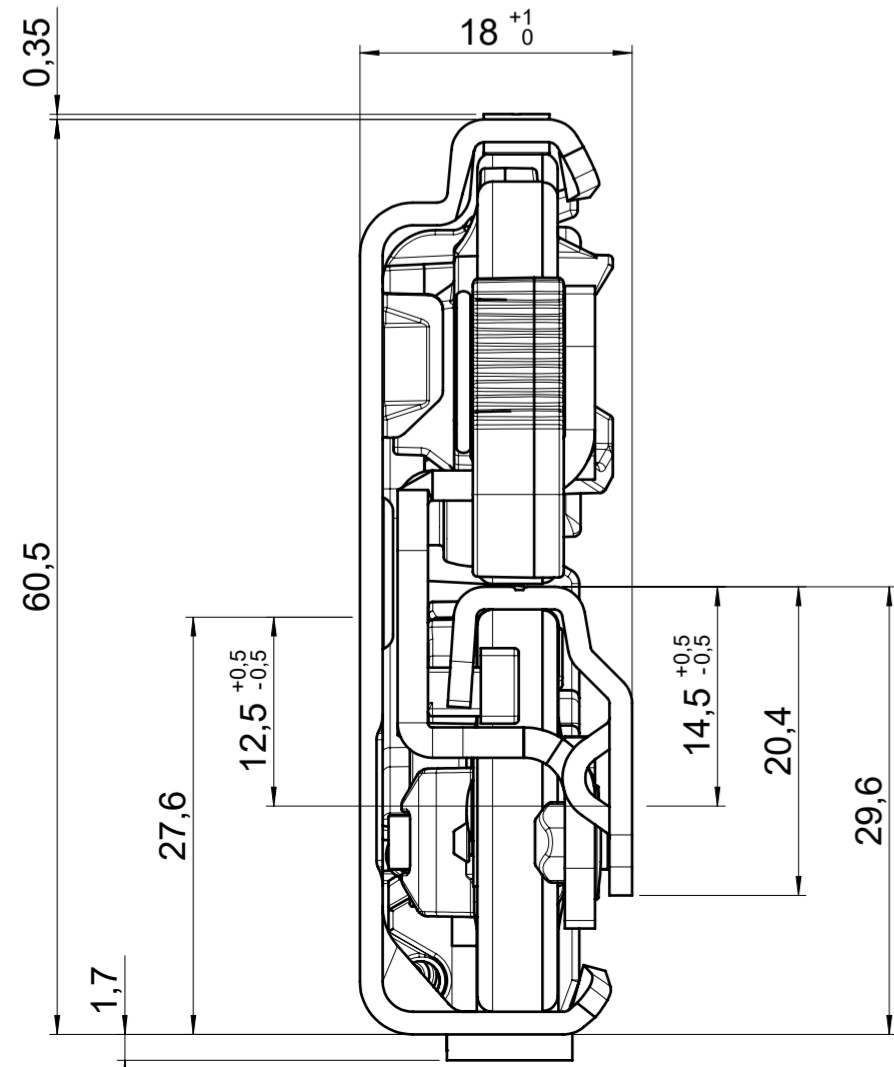


drawn on the left (mirrored on the right)



as an option you can retrofit the ECD



**final approval**

customer name:

signed by:

date:

all dimensions in mm					
missing dimensions see 3D = theor. intersection	DIN ISO 128-30	scale: <b>1:1</b>	surface/color:	material: <b>CS</b>	(technical requirements Fulterer)
<b>prototype approval</b>		drawn	date	name	description: <b>FR 795-650 CS EN (mm)</b> progressive-action full-extension drawerslide / side mount
		proven	2024-01-12	RK	
		Fulterer AG & Co KG A-6890 Lustenau		drawing number: <b>CS# 795.650-GA.0000</b>	
PDM ind. changes		date 2023-10-04	RK	replaces the edition:	
<small>This drawing remains our property and may not be multiplied neither be disclosed to third parties (§§1.3 and 5 from the copyright Act (UrH.G)).</small>					