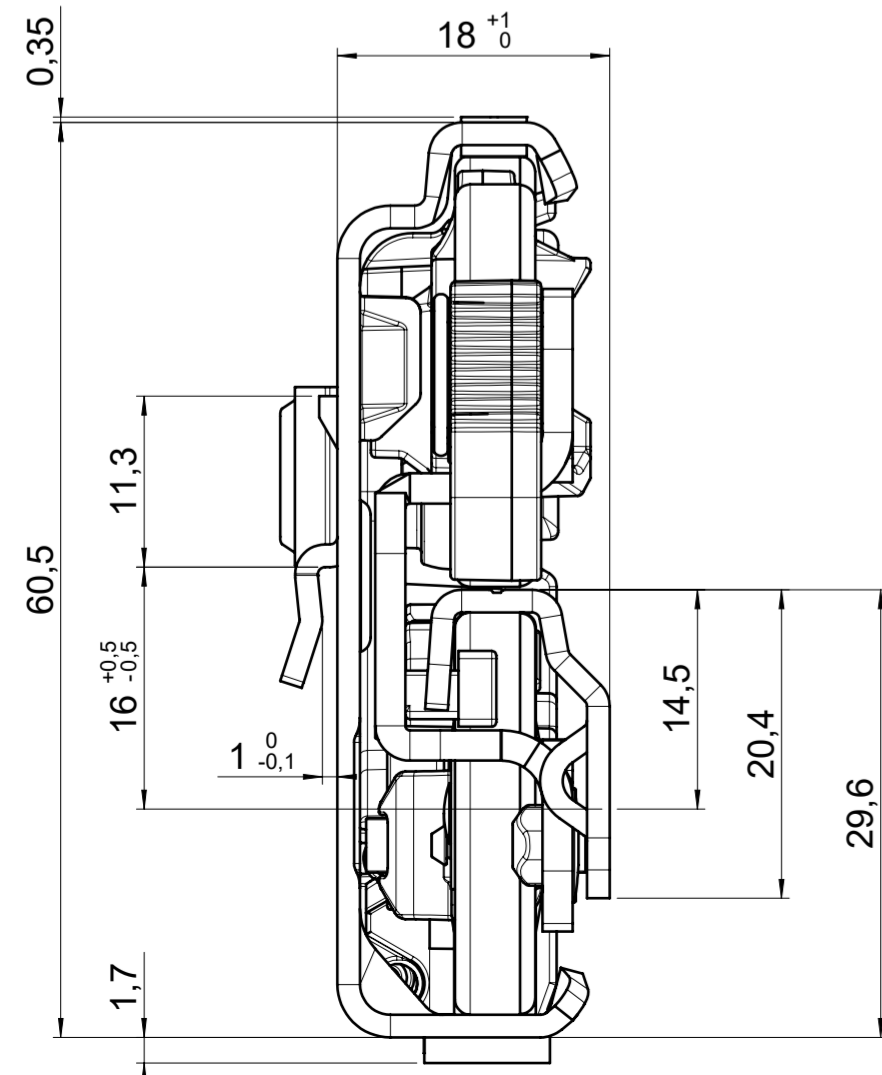
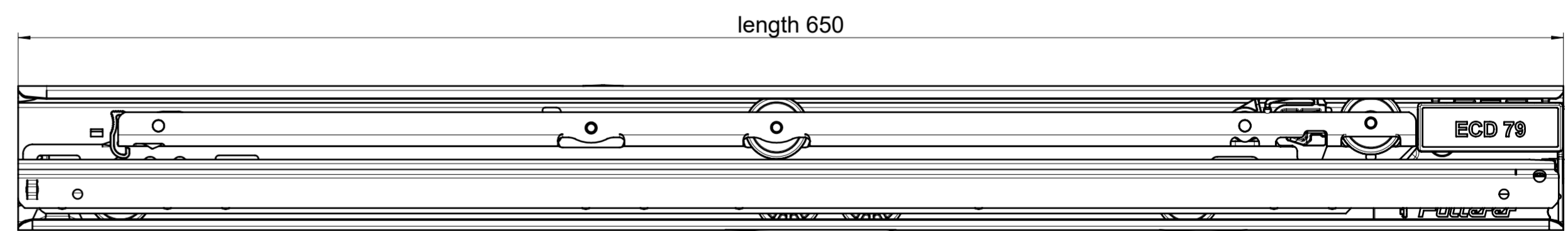
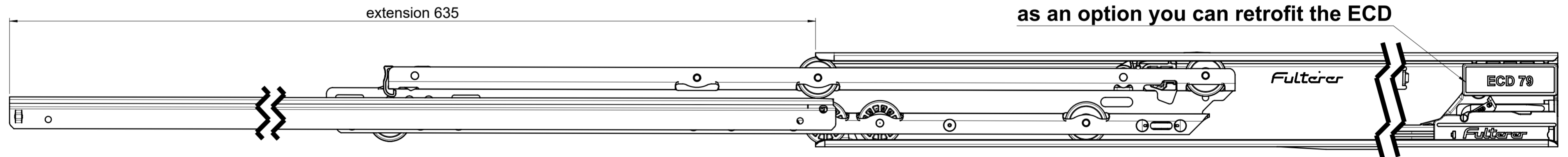
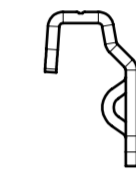
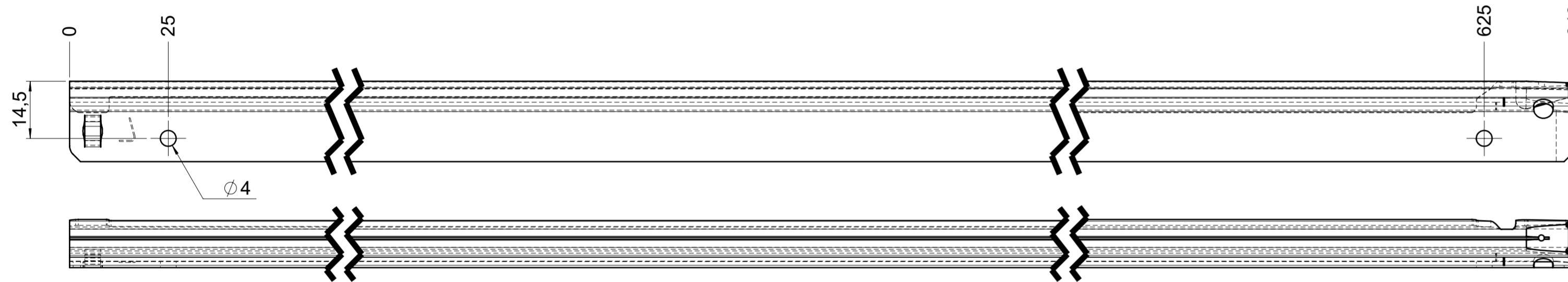
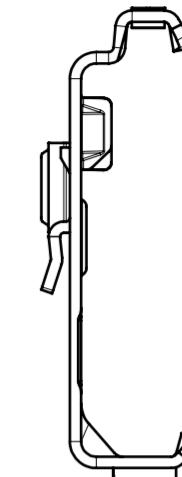
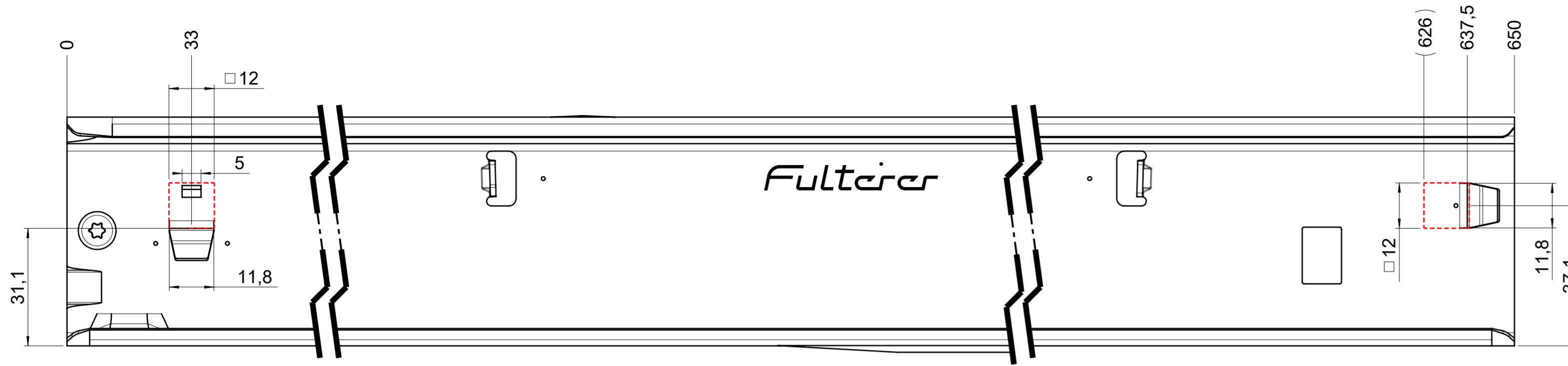


drawn on the left (mirrored on the right)



final approval

customer name:

signed by:

date:

all dimensions in mm			
missing dimensions see 3D ☉ = theor. intersection	scale: 1:1	surface/color:	material: CS (technical requirements Fulterer)
prototype approval		drawn: 2024-01-12 RK	description: FR 795-650 CS EN (mm) progressive-action full-extension drawerslide / side mount
		proven: 2024-01-12 RK	drawing number: CS# 795.650-GA.L526
① PDM	2024-01-12 RK	Fulterer Fulterer AG & Co KG A-6890 Lustenau	replaces the edition:
ind. changes	date name	Fulterer AG CH-9430 St. Margrethen	