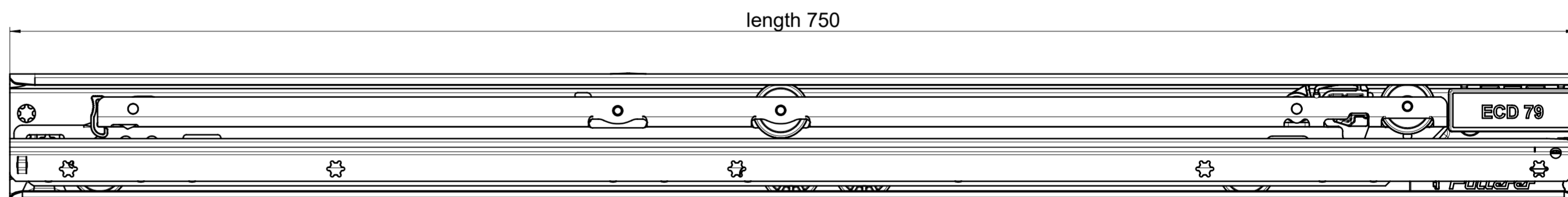
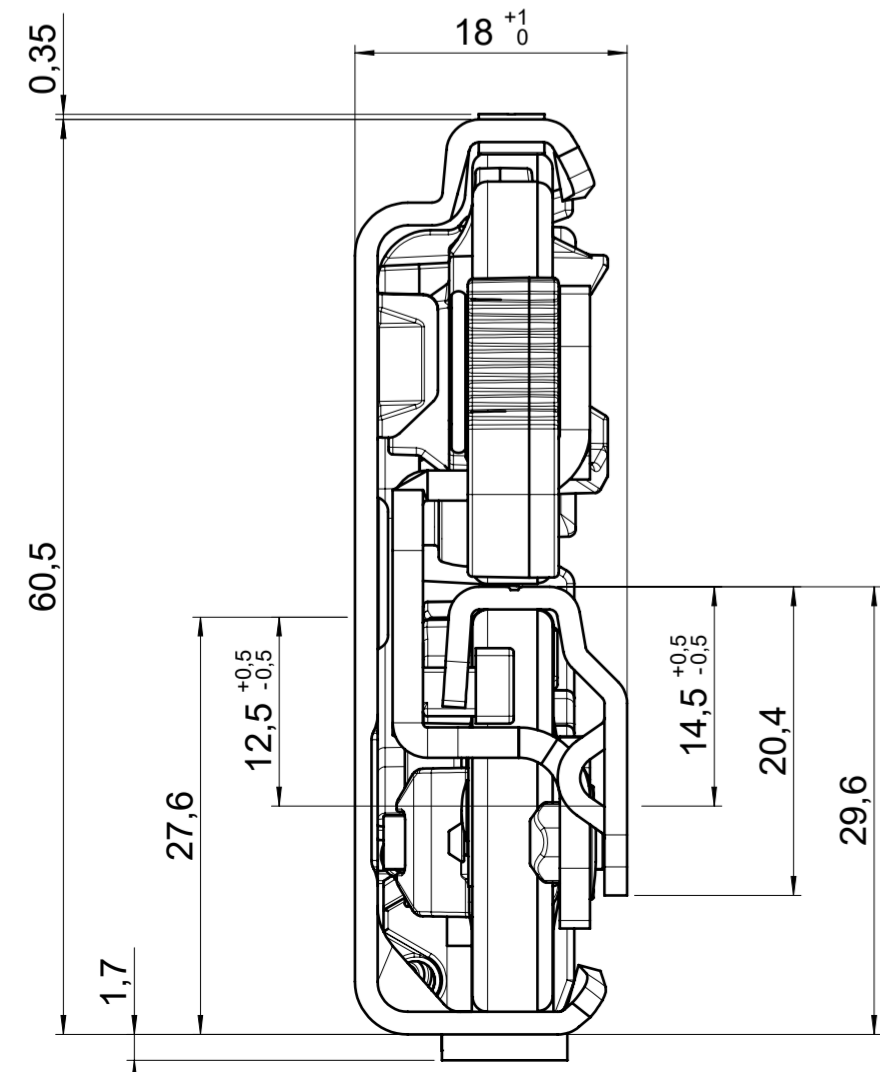
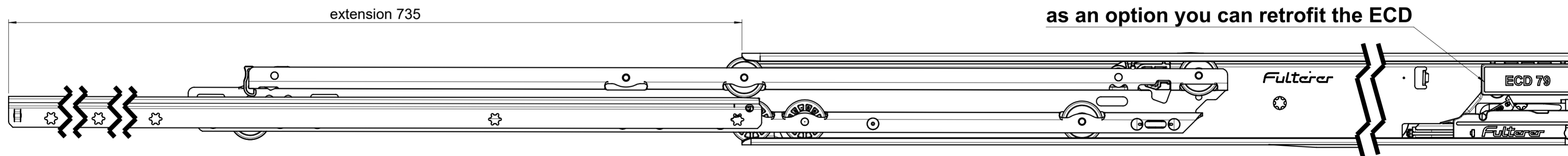
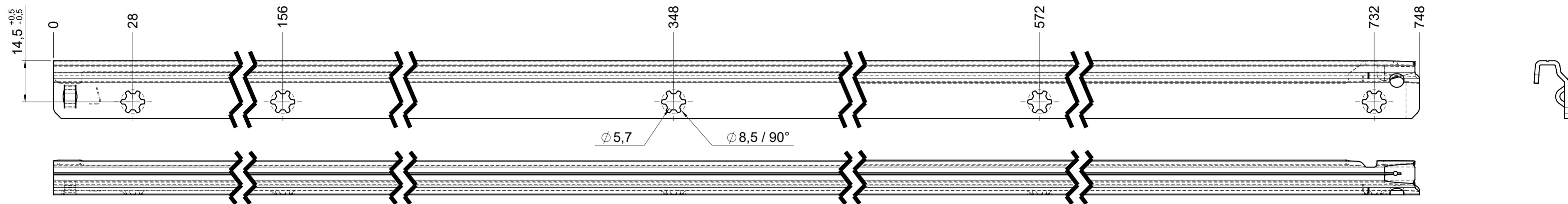
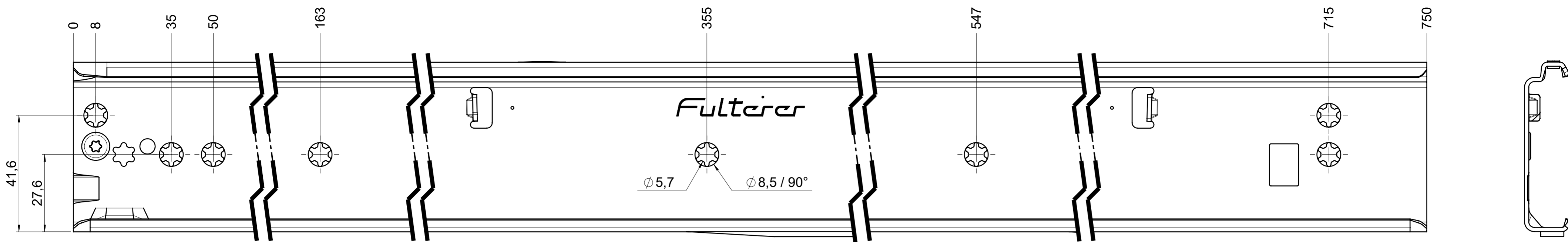


drawn on the left (mirrored on the right)



**final approval**

customer name:

signed by:

date:

all dimensions in mm			
missing dimensions see 3D = theor. intersection	scale: 1:1	surface/color:	material: CS (technical requirements Fulterer)
<b>prototype approval</b>	drawn: 2022-11-24 RK	date:	description: <b>FR 795-750 CS EN (mm)</b> progressive-action full-extension drawerslide / side mount
	proven: 2024-01-12 RK		
		drawing number: <b>CS# 795.750-GA.0000</b>	
Fulterer AG & Co KG A-6890 Lustenau		replaces the edition:	
Fulterer AG CH-9430 St. Margrethen			
This drawing remains our property and may not be multiplied neither be disclosed to third parties (§§1.3 and 5 from the copyright Act (UrhG)).			covered according to DIN ISO 16016