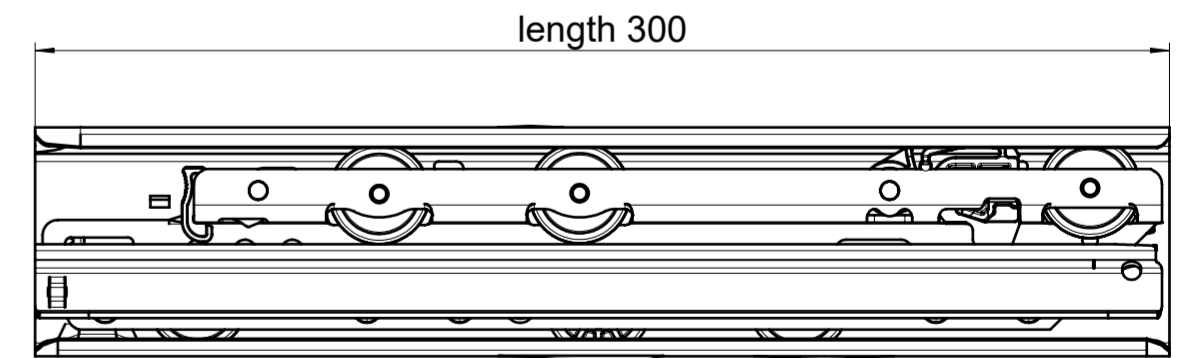
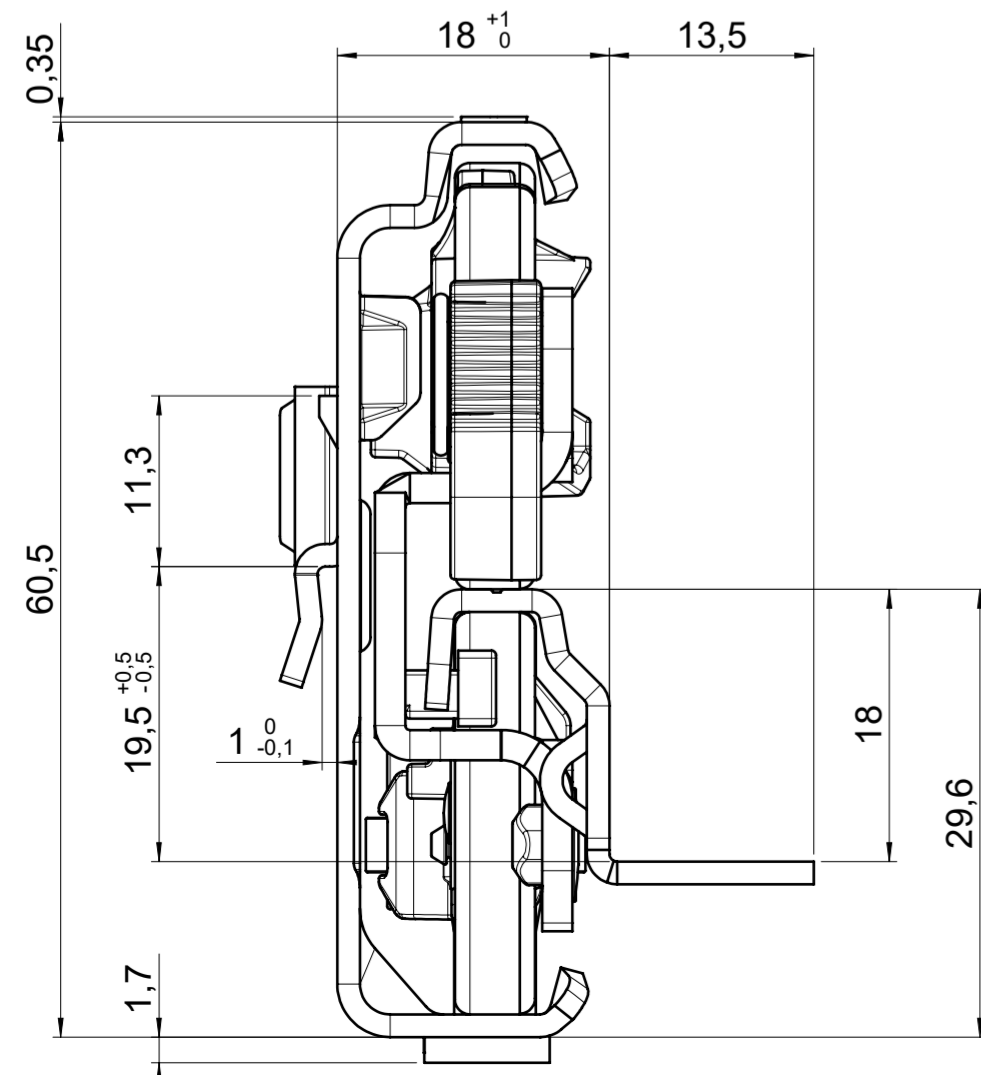
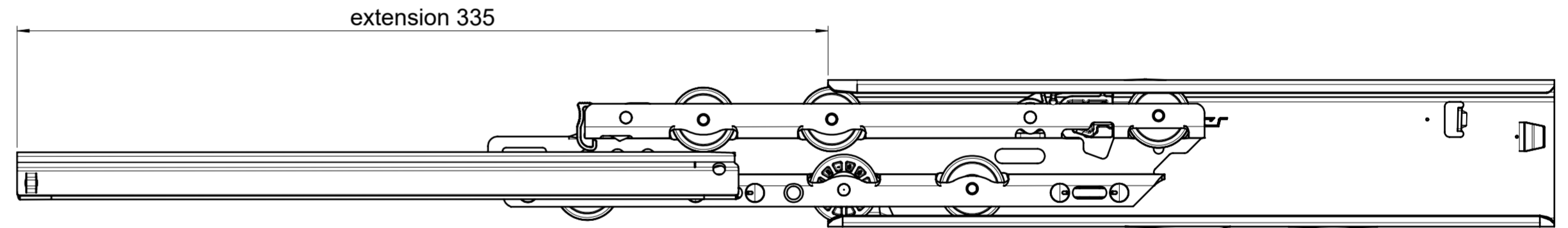
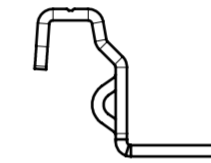
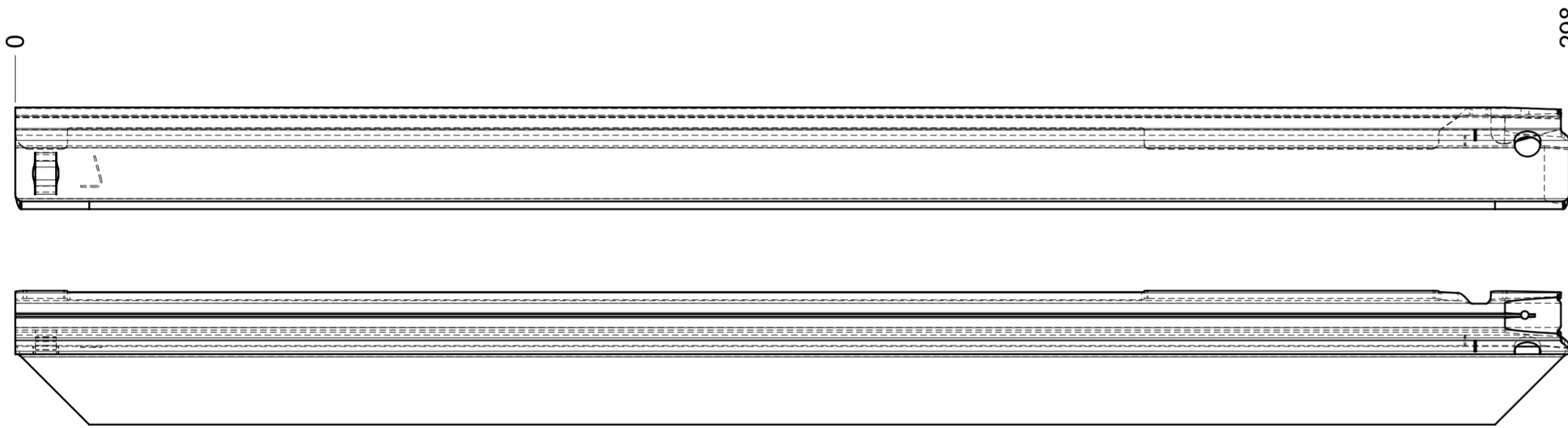
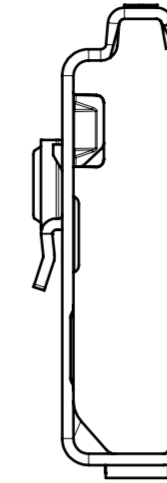
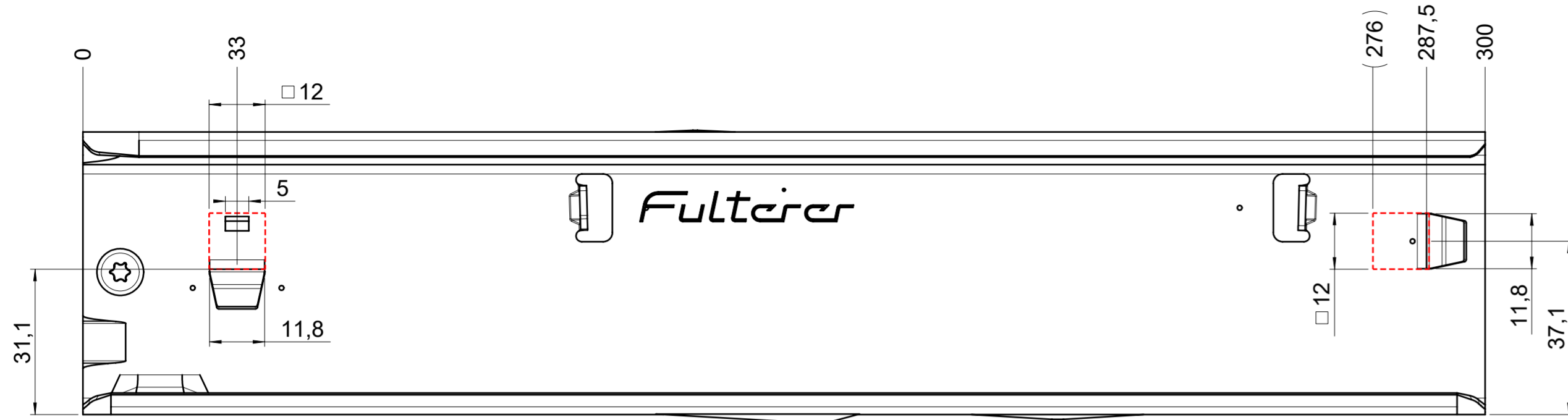



drawn on the left (mirrored on the right)



final approval	customer name:
	signed by:
	date:

all dimensions in mm					
missing dimensions see 3D ∅ = theor. intersection	DIN ISO 128-30	scale: 1:1	surface/color:	material: CS	(technical requirements Fulterer)
prototype approval		drawn	date	name	description: FR 796-300 CS EN (mm) progressive-action over-extension drawerslide / bottom mount
		proven	2024-01-15	RK	
<input type="checkbox"/> <input type="checkbox"/> <input type="checkbox"/> <input type="checkbox"/>		 Fulterer AG & Co KG A-6890 Lustenau Fulterer AG CH-9430 St. Margrethen		drawing number: CS# 796.300-GA.L525	
				replaces the edition:	
This drawing remains our property and may not be multiplied neither be disclosed to third parties (§§1.3 and 5 from the copyright Act (UrhG)).					covered according to DIN ISO 16016