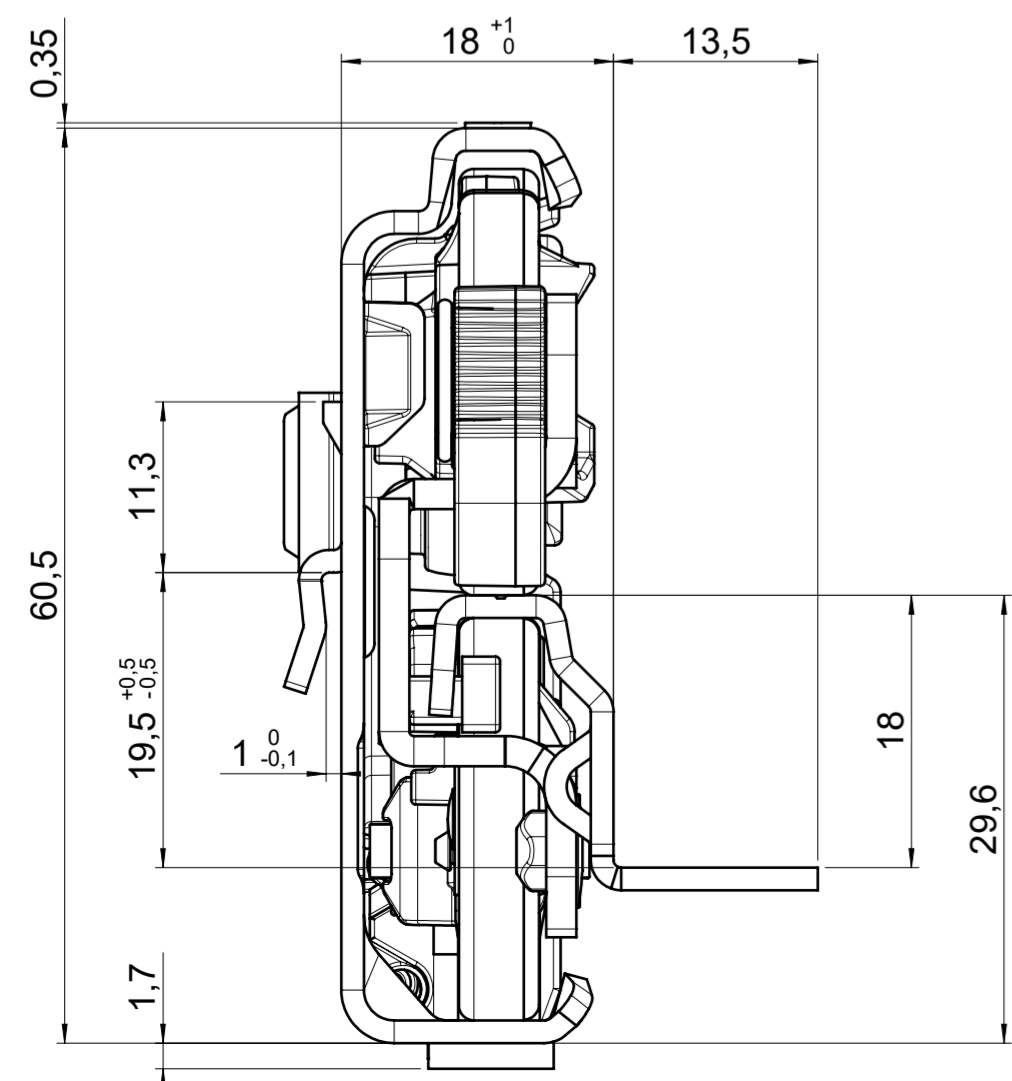
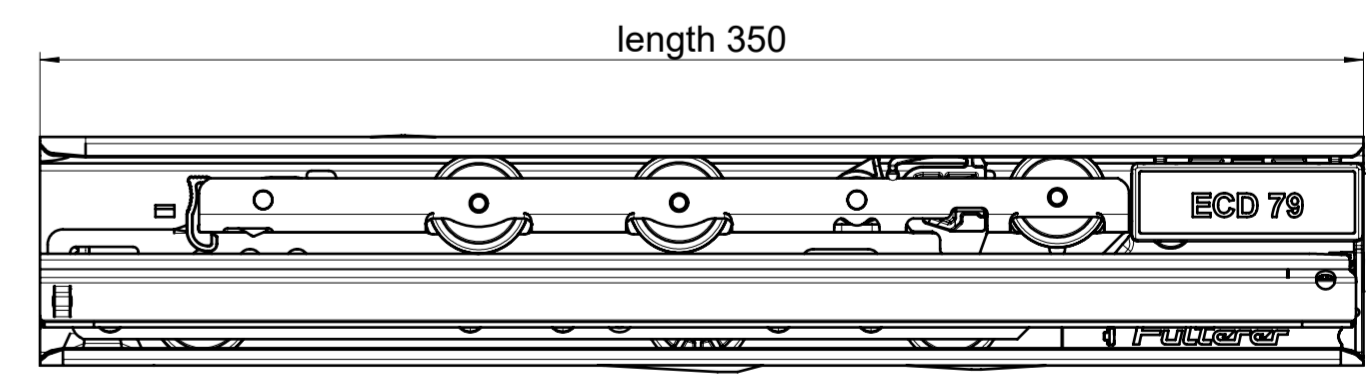
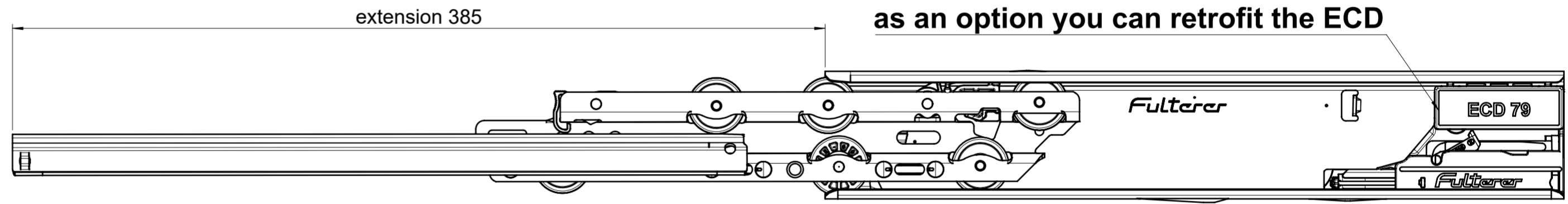
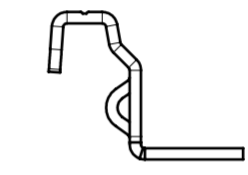
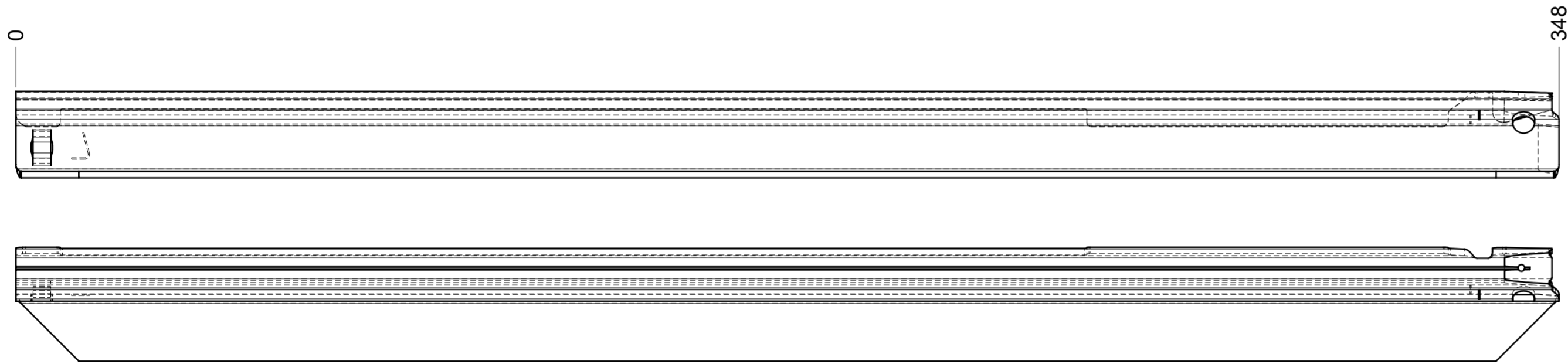
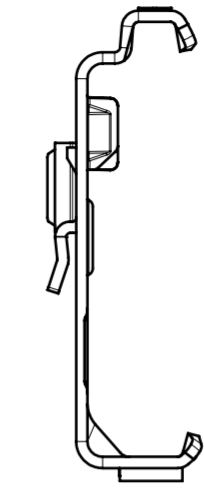
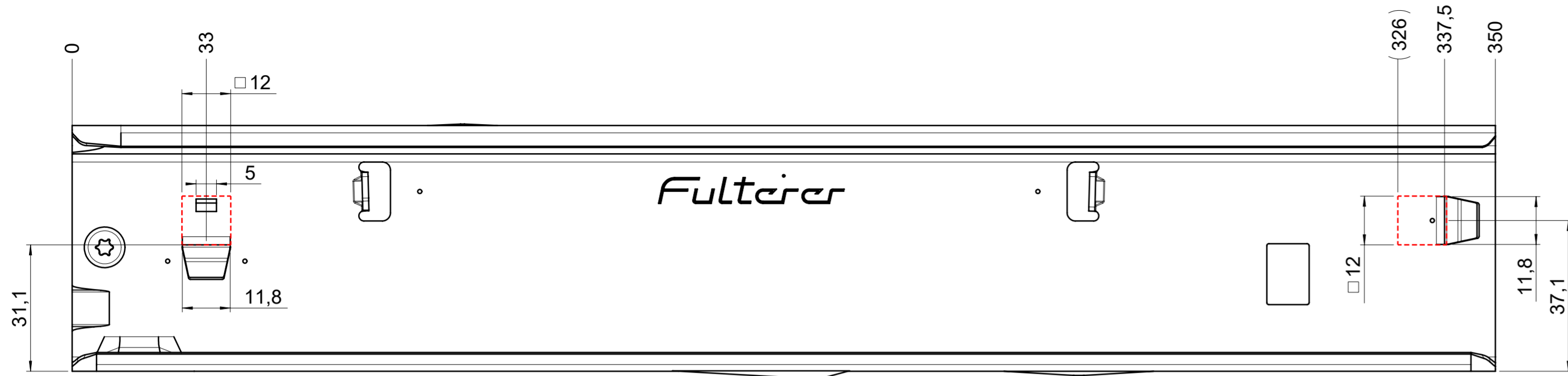


drawn on the left (mirrored on the right)



<b>final approval</b>	customer name:
	signed by:
	date:

all dimensions in mm			
missing dimensions see 3D ∅ = theor. intersection	scale: <b>1:1</b>	surface/color:	material: <b>CS</b> (technical requirements Fulterer)
<b>prototype approval</b>	drawn 2024-01-15 RK	date 2024-01-15	name RK
	description: <b>FR 796-350 CS EN (mm)</b> progressive-action over-extension drawerslide / bottom mount		
drawing number: <b>CS# 796.350-GA.L525</b>			replaces the edition:
ind. changes	date	name	
Fulterer AG & Co KG A-6890 Lustenau Fulterer AG CH-9430 St. Margrethen			