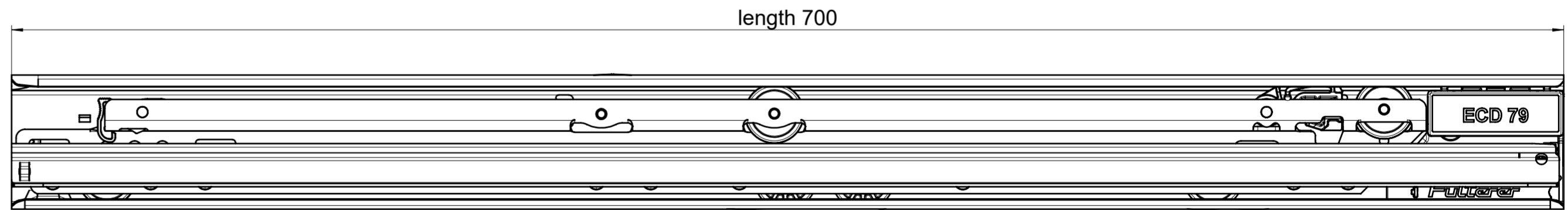
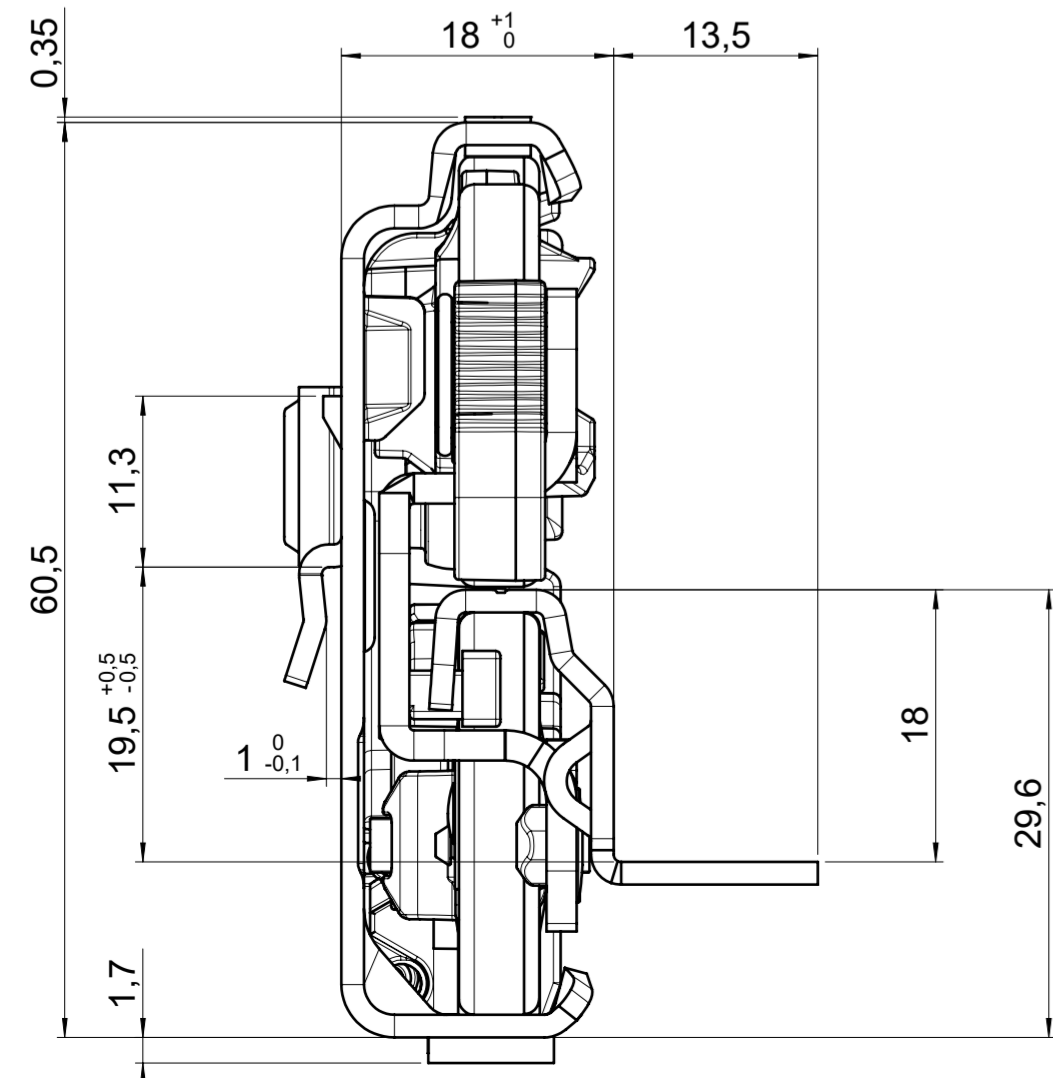
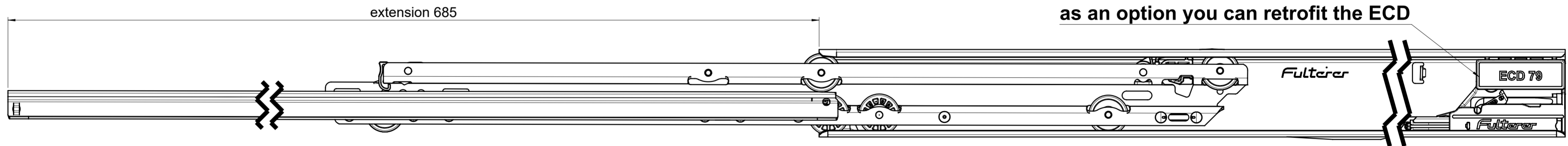
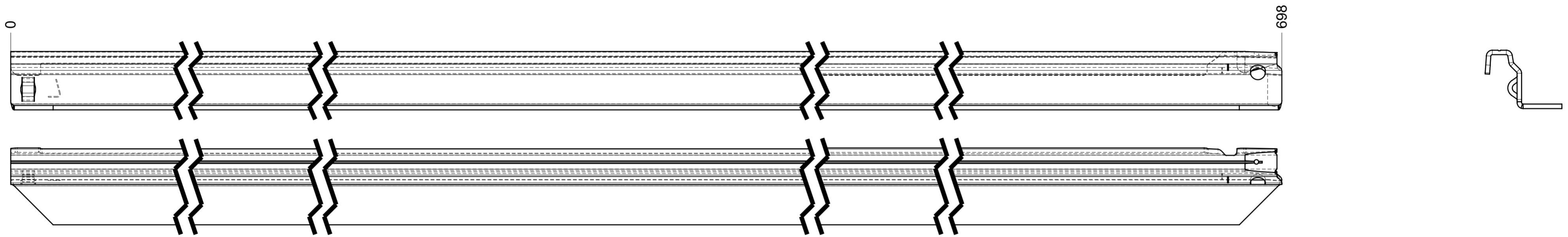
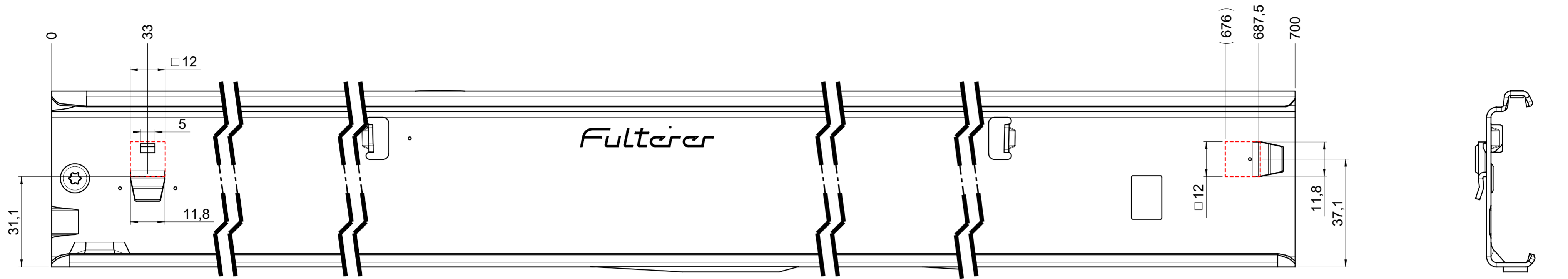


drawn on the left (mirrored on the right)



**final approval**

customer name:

signed by:

date:

all dimensions in mm			
missing dimensions see 3D = theor. intersection	scale: <b>1:1</b>	surface/color:	material: <b>CS</b> (technical requirements Fulterer)
<b>prototype approval</b>	drawn: 2024-01-16 RK	date: 2024-01-16	name: RK
	proven: 2024-01-16 RK		
	<b>Fulterer</b>		description: <b>FR 796-700 CS EN (mm)</b> progressive-action full-extension drawerslide / bottom mount
	Fulterer AG & Co KG A-6890 Lustenau		drawing number: <b>CS# 796.700-GA.L526</b>
	Fulterer AG CH-9430 St. Margrethen		replaces the edition:
ind. changes	date	name	
This drawing remains our property and may not be multiplied neither be disclosed to third parties (§§1.3 and 5 from the copyright Act (UrhG)).			covered according to DIN ISO 16016