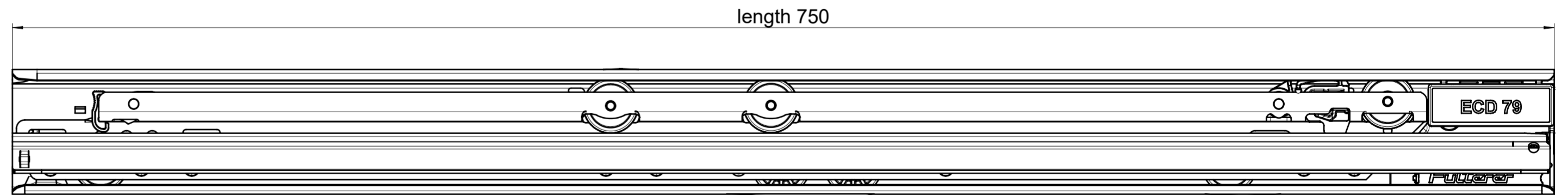
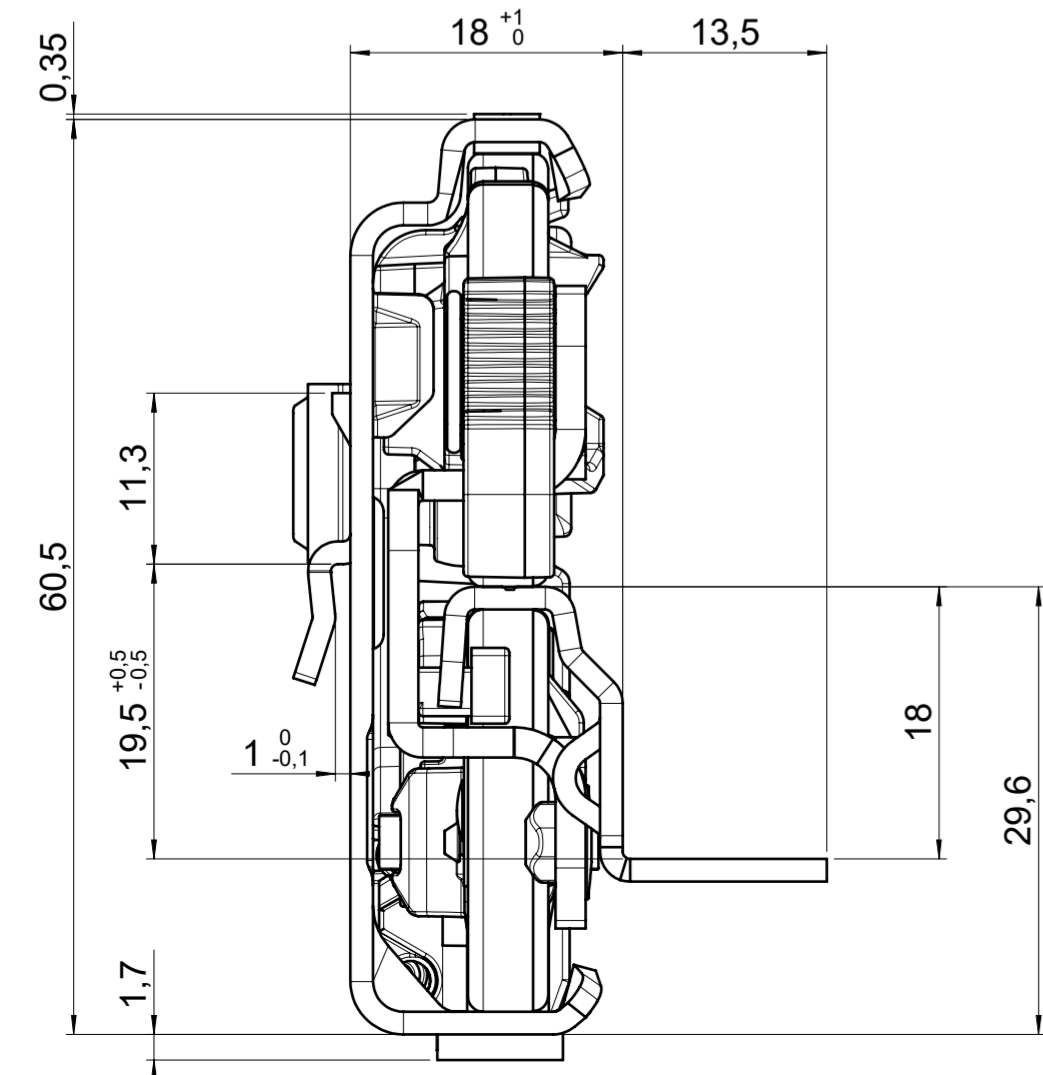
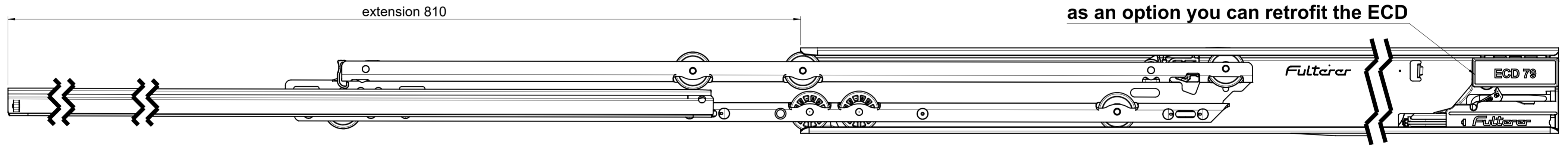
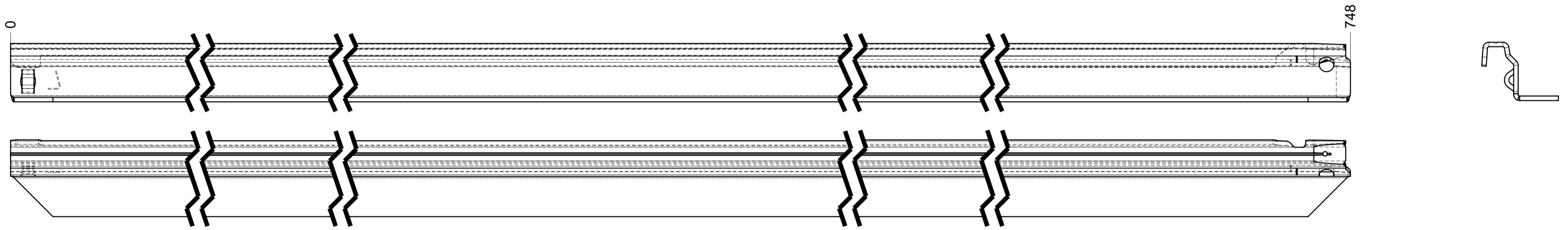
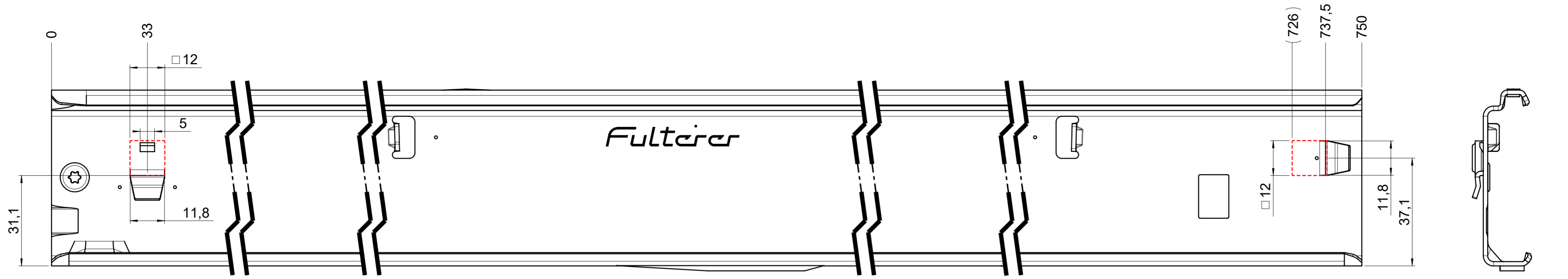


drawn on the left (mirrored on the right)



**final approval**

customer name:

signed by:

date:

all dimensions in mm			
missing dimensions see 3D = theor. intersection	scale: 1:1	surface/color:	material: CS (technical requirements Fulterer)
<b>prototype approval</b>	drawn 2024-01-15 RK	date 2024-01-15	name RK
	description: <b>FR 796-750 CS EN (mm)</b> progressive-action over-extension drawerslide / bottom mount		
drawing number: <b>CS# 796.750-GA.L525</b>			replaces the edition:
ind. changes	date	name	
Fulterer AG & Co KG A-6890 Lustenau Fulterer AG CH-9430 St. Margrethen			
This drawing remains our property and may not be multiplied neither be disclosed to third parties (§§1,3 and 5 from the copyright Act (UrhG)).			covered according to DIN ISO 16016